

JUNE 2024

# Specification Guide

ELEMENTS<sup>®</sup>  
— SHADE COLLECTION —

 Rowley<sup>®</sup>

# OUR STORY



As an independently owned US company established in 1962, Rowley has played a significant role in supporting drapery and upholstery workrooms, installers, designers, and retailers for over 60 years. Throughout our growth and evolution, we have maintained a steadfast commitment to providing excellent customer service and exceeding customer expectations.

The Elements Custom Shade Collection by Rowley is assembled in our state-of-the-art manufacturing facility located in Dallas, TX and offers a level of personalization and flexibility that allows customers to create window treatments that perfectly match their unique style preferences, design requirements, and functional needs.

Our leadership team brings a wealth of experience to the table, with over 40 years of collective expertise across all facets of the industry including manufacturing, product development, marketing, sales, and operations. Our extensive experience in the window covering industry positioned us to enter the custom shades market by leveraging our expertise, swift turnaround, dependable service & personalized customization options.

We promise to deliver on the premise that Rowley was founded on as the go-to resource for all our customers' window covering needs, empowering you to better serve your clients and grow your business.

Sincerely,  
Your Rowley Team



# TABLE OF CONTENTS

Child Safety .....	4-5
Measuring Instructions — All products.....	6-7
Depth Requirements .....	8-10
Terms and Conditions.....	11-15
Remakes and Repairs .....	12-13
Warranty .....	14-15

## CELLULAR SHADES

Product Specifications.....	17
Operating Options .....	18
Specialty Applications .....	19-20
Color Coordination.....	21-25
Stack Chart.....	26
Product Components.....	27

## ROLLER SOLAR & EXTERIOR SHADES

Product Characteristics.....	28-30
Product Specifications.....	31-35
Operating Options .....	36
Specialty Applications .....	37
Design Options.....	38
Size Chart.....	39-40
Product Components.....	41-44

# TABLE OF CONTENTS

CONTINUED

## TWINLIGHT

Product Specifications..... 46  
 Operating Options .....47  
 Design Options..... 48  
 Product Components (drawings)..... 49

## DECORATIVE TEXTILE FILM

Product Specifications.....51  
 Installation..... 52

## MOTORIZATION

Why Motorization ..... 54  
 R-TEC Automation® Motorization –  
 Options, Specifications & Accessories .....55-60  
 Sizing Charts..... 61-63



The window coverings industry uses warning tags, labels and other methods to communicate the potential hazard of corded window coverings. Pay attention to these warnings.

For example, the warning shown here communicates the critical message about cords being a potential strangulation hazard and suggests selecting a cordless alternative. Along with the Window Covering Safety Council, we strongly encourage you to install only cordless window coverings in homes where children play and sleep need to add warning notification and label

# BEST FOR KIDS



The Window covering Manufacturers Association (WCMA) has introduced the industry's first third party certification program designed to help consumers and retailers identify window covering products that are best suited for use in homes with young children. The new Best for Kids™ program will require the manufactures who want to be part of the program meet stringent criteria, and submit those appropriate products to Bureau Veritas, a third-party testing laboratory recognized by WCMA.

## THESE PRODUCTS ARE CERTIFIED BEST FOR KIDS™

### CELLULAR SHADES

- Cordless Lift (including TD/BU)
- Motorized Shades

### ROLLER/SOLAR SHADES

- Cordless Lift
- Motorized Shades

### TWINLIGHT SHADES

- Motorized Shades



# MEASURE INSTRUCTIONS

## INSIDE MOUNT

Please use a steel tape measure to ensure the proper measurements. Measure to the nearest eighth of an inch (1/8"). Measure each window individually even if they look the same. Always measure and record the width first, then height. Reversing the width measurement for the height measurement is the most common ordering mistake.



### Step 1

**MEASURE THE INSIDE WIDTH** of the opening width at the top, middle, and bottom of window opening. Use the narrowest measurement when ordering.

#### ROLLER SHADES

Measure the exact width of the opening where the roller shade will be installed, to the nearest, lowest 1/8".



**PLEASE NOTE:** Inside mount measurements represent the exact window opening, do not add or subtract from your measurements. The factory will make the necessary deductions to ensure a proper fit.



### Step 2

**MEASURE HEIGHT** of opening on left, center, and right. In most cases, you will use the largest measurement when ordering.

Wall-to-wall or ceiling-to-floor measurements should be treated as an inside mount measurement.

#### MINIMUM DEPTH

You will need this much unobstructed depth, including cranks, handles, locks, etc., to inside mount the window treatment. Depth requirements for all products can be found on pages 8-10.



### Extra Step

**MEASURE THE WINDOW ON THE DIAGONAL.** If the two diagonal dimensions are not exactly the same, it may be more appropriate to specify an outside mount shade for optimal light control and privacy. Outside mount is recommended for windows greater than 1/2" out of square. Measure the top of the window opening front to back to verify depth variances.

#### FLUSH MOUNT

For the face of your treatment to be flush with the wall or window frame, your frame depth must be the same or greater than the Flush Mount depth required.

PRODUCT	IM WIDTH DEDUCTIONS	IM HEIGHT DEDUCTIONS	END MOUNT DEDUCTIONS
Cellular Shades	3/8"	None	N/A
Roller Shades	+1/8"	None	N/A
Twinlight	1/8" headrail unit	None	N/A
Exterior Shades Clutch	1/8"	None	N/A
Exterior Shades (Zip Screen)	TBD	TBD	TBD
Decorative Textile Film	None	None	None

# MEASURE INSTRUCTIONS

## OUTSIDE MOUNT



### Step 1

**MEASURE THE WIDTH** of the area you wish to cover. Measure across the top, center and bottom of the window. Use the largest measurement when ordering. We recommend adding overlap to reduce light leakage around the blind.



### ROLLER SHADES

Finished roller shade sizes are based on tip-to-tip measurements. When ordering an outside mount shade, determine the width you desire the fabric to be and add for the tip-to-tip measurement. See Roller and Solar Shades section for additional information.

### Step 2

Decide if the headrail will be installed on or above the window molding. You will need a flat surface area. Measure the height of the area you wish to cover and provide exact dimensions.



### PLEASE NOTE:

Outside Mount (OM) measurements represent the exact blind size needed. No allowances will be made by the factory.

### MINIMUM MOUNTING SURFACE

You will need this much unobstructed flat space to outside mount the window treatment. OM flat mounting surface requirements can be found on pages.

PRODUCT	OM WIDTH AND HEIGHT DEDUCTIONS	RECOMMENDED OVERLAP WIDTH	RECOMMENDED OVERLAP HEIGHT
Cellular Shades	1/8"	1 1/2"	1 1/2"
Roller and Solar Shades	None	1 1/2"	2"
Twinlight	None	2"	3"
Exterior Shades (Clutch)	None	N/A	N/A
Exterior Shades (Zip Screen)	TBD	TBD	TBD
Decorative Textile Film	None	None	None

## PRODUCT STACKING CONSIDERATIONS

The chart shows approximately how much of your window area will be covered when your window treatment is fully drawn open. If you feel too much of the window will be covered, consider Outside Mount. If space allows, mounting brackets can be raised higher above the window frame to reduce the area covered by the treatment.

Product stack charts can be found in cellular shade section.

# DEPTH REQUIREMENTS

## Cellular Shades

PRODUCT	MINIMUM DEPTH REQUIREMENT	FLUSH DEPTH REQUIREMENT	OM MINIMUM MOUNTING SURFACE HEIGHT
Cellular Shades	7/8"	2 <sup>3</sup> / <sub>8</sub> "	1 <sup>5</sup> / <sub>8</sub> "
Arch, Half Arch	1 <sup>1</sup> / <sub>4</sub> "	2 <sup>3</sup> / <sub>8</sub> "	3/4"
Top Down / Bottom Up	7/8"	2 <sup>3</sup> / <sub>8</sub> "	1 <sup>5</sup> / <sub>8</sub> "
Motorized	7/8"	2 <sup>3</sup> / <sub>8</sub> "	1 <sup>5</sup> / <sub>8</sub> "

## Twinlight Shades

PRODUCT	MINIMUM DEPTH REQUIREMENT	FLUSH DEPTH REQUIREMENT	OM MINIMUM MOUNTING SURFACE HEIGHT
Cassette 100	1 <sup>1</sup> / <sub>8</sub> "	3 <sup>7</sup> / <sub>8</sub> "	1 <sup>1</sup> / <sub>2</sub> "
Cassette 120	1 <sup>1</sup> / <sub>4</sub> "	4 <sup>1</sup> / <sub>4</sub> "	2 <sup>3</sup> / <sub>8</sub> "

## Decorative Textile Film

PRODUCT	MINIMUM DEPTH REQUIREMENT	FLUSH DEPTH REQUIREMENT	OM MINIMUM MOUNTING SURFACE HEIGHT
Decorative Textile Film	None	None	None

## Exterior Shades

PRODUCT	MINIMUM DEPTH REQUIREMENT	FLUSH DEPTH REQUIREMENT
R-TEC Automation® 45mm	1 <sup>1</sup> / <sub>4</sub> "	1 <sup>3</sup> / <sub>8</sub> "
Exterior Clutch	1"	4 <sup>1</sup> / <sub>2</sub> "



# DEPTH REQUIREMENTS

## Roller/Solar Shades

SHADE WIDTH	SHADE HEIGHT	MIN DEPTH	INSIDE FLUSH MOUNT	OUTSIDE SURFACE
<b>CORDLESS LIFT</b>				
up to 96"	up to 96"		up to 3" (varies by pattern)	2"
<b>CLUTCH (OPEN ROLL)</b>				
up to 72"	up to 120"	1/2" side 1 1/2" back, top or ceiling	2 3/8"	1 5/8"
72" to 108"	up to 120"	5/8" side 1 1/2" back, top or ceiling	2 5/8"	2 1/2"
108" to 118"	up to 144"	5/8" side 2 5/8" back, top or ceiling	3"	2 1/2"
<b>SHADES WITH CASSETTES</b>				
Cassette 100		1 1/8"	3 7/8"	1 1/2"
Cassette 120		1 1/4"	4 1/4"	2 3/8"
<b>SHADES WITH FASCIA</b>				
3" Square Fascia		7/8"	3 3/4"	3 1/8"
4" Square Fascia		7/8"	4 1/4"	4 1/8"
5" Square Fascia		4"	5 1/4"	4"
<b>DUAL SHADE WITH 5" FASCIA</b>				
up to 132"	up to 120"	4"	5 1/4"	4"
4" Deco Valance		2"	3 1/2"	+1" returns 3 5/8"
4" Fabric Wrapped Deco		2"	3 3/4"	+1" returns 3 5/8"

# DEPTH REQUIREMENTS

## MOTORIZED SHADES (OPEN ROLL)

MOTOR	ROLLER SIZE	MIN DEPTH	FLAT MOUNTING SURFACE
R-TEC Automation® 25mm	1 <sup>1</sup> / <sub>4</sub> " - 1 <sup>1</sup> / <sub>2</sub> "	3/4"	3/4"
R-TEC Automation® 28mm	2"	3/4"	3/4"
R-TEC Automation® 35mm	2 <sup>1</sup> / <sub>2</sub> " - 3 <sup>1</sup> / <sub>4</sub> "	1 <sup>1</sup> / <sub>4</sub> "	1 <sup>3</sup> / <sub>8</sub> "
R-TEC Automation® 45mm	2 <sup>1</sup> / <sub>2</sub> " - 3 <sup>1</sup> / <sub>4</sub> "	1 <sup>1</sup> / <sub>4</sub> "	1 <sup>3</sup> / <sub>8</sub> "



\*Flush mount measure is taken from the back of the bracket to the front edge of the clutch mechanism. The fabric roll, in most cases, will not exceed this depth.

# TERMS AND CONDITIONS

## ORDER PROCESS

All verbal and email orders are accepted as the dealer's responsibility.

We are always happy to receive your order, whether it be placed by phone or email. Phone orders are recorded to help ensure accuracy; however, it is important to know that the customer is responsible for the accuracy of the order.

Rowley cannot be responsible for duplicated orders caused by a telephone and email order being followed by a duplicate order which has not been clearly marked "Do Not Duplicate."

ALL ORDERS RECEIVE AN ORDER CONFIRMATION SENT FOR VERIFICATION PURPOSES. PLEASE REVIEW FOR ACCURACY UPON RECEIPT.

### **Sales Quote vs Sales Order**

When a quote is placed, a "quote confirmation" is sent via email.

When the quote is turned into an order, a "sales order" is sent. Until you receive a "sales order" - the order has NOT been entered for production. Please help us ensure your orders are actually placed by looking for your sales order confirmation.

## ORDER COMPLETION DATES

All orders are assigned an estimated completion date at the time of order. This is automatically calculated based on current production schedule and may be subject to change. Please note any orders held for credit review will see an additional delay in completion dates.

### **Product Specification Changes**

Although we attempt to notify customers in advance of any product specification changes, the product information contained in the Pricing & Reference Guide are subject to change without notice.

### **Backorders**

From time to time our suppliers are unable to ship the necessary materials or provide specific ship dates of these materials to fill your order. We will provide backorder notification as quickly as possible so you can re-select or notify your customer of any delays.

### **Color Matching**

To ensure color matching, all blinds or shades must be ordered at the same time. This will eliminate possible dye lot variations. The availability of colors and styles is subject to change without notice.

# TERMS AND CONDITIONS

## CHANGES AND CANCELLATIONS

Our products are custom made to your specifications and may not be cancelled if the order is in the process of fabrication. If changes or cancellation are required, please contact Customer Service immediately. They will advise if the order can be changed or cancelled.

### Missing Parts

In the event you have missing or damaged parts, please order using part's name or item # found on schematic drawings in each price section. This will ensure we provide the correct item needed.

## CARE AND CLEANING

Due to the differences in ultrasonic cleaning methods, we cannot recommend this method of cleaning. Do NOT use strong detergents or spot removers. Dry cleaning is not recommended and is not covered by the warranty. Do NOT fully immerse blinds or shades. Most fabrics are inherently anti-static and repel dust. Periodic feather dusting or vacuuming with a soft brush attachment and low suction will keep your shades clean and fresh. Spills or stains can be lightly blotted with a damp cloth and water. Take care not to crease the fabric.

### Cellular Shades & Twinlight Shades

Vacuum in a sweeping motion side-to-side parallel with the cells.

### Roller Shades/Solar Shades

Solar screen fabrics may be cleaned using a mild detergent. Allow fabric to dry completely before raising the shade.

### Decorative Textile Film

Remove excess liquids using an absorbent cloth and/or carefully scrape away hardened particles.

Remove grease-free stains using a lukewarm microfiber cloth. Remove grease stains using a solvent-free stain remover. Solvents should not be used, as they reduce the strength of the glue.

## REMAKES AND REPAIRS

### Remakes and Return Authorizations

Should you experience a problem with any product, please call Customer Service. No-charge remakes will be processed due to factory error, product quality, or shipping damage issues. All no-charge remakes are entered under your account, you will find them in your account history. You will receive an order confirmation and a shipping notice, and you will be able to check status on the remake order by calling customer service at 833-743-1314. No-charge remake orders can be initiated with anyone in customer service. You can help speed up the remake process by supplying pictures of quality issues or damage. Our goal is to prevent repeating the error and a good picture will tell us what the issue is and eliminate the need for blinds to be returned.

In certain instances, a new order will be placed, and an RA number will be assigned. You will be invoiced for the replacement order, and a credit will be issued upon return and inspection of the product. We will send return labels if required.

# TERMS AND CONDITIONS

Product must be returned within 30 days. Please be sure that any blinds returned to Rowley Company are properly packaged to prevent soiling or damage while in transit.

Damage incurred during shipping must be reported within 30 days or credit will be denied.

## MUST CONTACT CUSTOMER SERVICE FOR AUTHORIZATION NUMBER AND REPAIR LABEL

### **STEP 1** Clean product to return for repair

Do not send brackets, keep them installed, or any separate valances for, roller shades. Blinds or shades soiled with hazardous materials will be refused and returned, at your expense, with no repairs made. Hazardous materials include mold, animal/human waste/debris, nicotine tar, or other toxic chemicals. If the product is simply dusty, please use a feather duster or vacuum upholstery brush.

### **STEP 2** Use a corrugated box to return all products

Choose a box size and strength suitable for the contents you are shipping. If the original box is not available, you may consider having your product boxed at a local packaging store. **IMPORTANT!** Box cannot exceed 90" in length and 12" x 12" in girth.

Do not over pack your box with too many blinds. If you reuse the box, make sure it is free of holes and damages. Remove old shipping labels and use packing material to fill unused spaces in the box.

### **STEP 3** Properly protect the product being returned

Use bubble wrap to protect each item, wrap separately. Newspaper or colored paper should not be used as they will soil the product. Raise the

blind or shade if possible and secure the cords with a rubber band. Do not wrap the cords around the product as this will damage the product. If the blind or shade cannot be raised and secured - please contact customer service for instructions.

### **STEP 4** Securely fasten repair label with order number to the box

Take box to local shipping store of your choice. For any questions or concerns, please contact customer service.

## FREIGHT DAMAGE

### **INSPECT IMMEDIATELY! BEFORE SIGNING FOR MERCHANDISE**

#### **Visible Damage**

Please receive the shipment but note damages on the freight bill.

It is recommended that you receive the shipment as opposed to refusing it. It is YOUR responsibility to note the damage on all copies of freight bill. Freight Bill must be signed by both the driver and consignee.

#### **Concealed Damage**

- Keep carton and packaging materials
- Call carrier within 7 days of delivery & request inspection
- Do not remove from premises before inspection is made
- Retain copy of inspection report

# TERMS AND CONDITIONS

## FREIGHT POLICY

Rowley ships product within the continental states. You will be charged a handling fee surcharge per shade shipped by commercial carriers within the continental USA. Shipments to Alaska & Hawaii will incur additional freight charges. In addition to the per blind shipping & handling fee, there will be a net common carrier charge on any shipment containing blinds and/or valances exceeding 90" in width and/or length for cellular, roller shades and Twinlight.

Customers must provide a Freight Forwarder within the continental US for shipment destinations outside the US. Rowley cannot ship directly to customers located outside the US. All Marketing Materials & Samples ship FOB from Dallas, TX.

Expedited shipping is available within the 48 contiguous states. Next Day Air, 2nd Day Air and 3rd Day Air service is available. Pricing upon request.

## WARRANTY

Cellular Shades	Lifetime Limited Warranty
Roller & Solar Shades	Lifetime Limited Warranty
Twinlight Shades	Lifetime Limited Warranty
Motors	5 Year Limited Warranty
Decorative Textile Film	5 Year Limited Warranty

Rowley Company, at our discretion, will repair or replace, any part of our custom-made window coverings of the following types- ROLLER, CELLULAR SHADES, TWINLIGHT; (herein called "blinds") found to be defective as a result of faulty workmanship or materials for as long as the original retail purchaser owns the blind (unless a shorter period is provided below). Repairs and/or replacements will be made with like or similar parts or products. This Warranty does not apply to any blind or parts thereof, which fail due to:

- accident
- alteration
- abuse or neglect
- improper care
- normal wear and tear
- discoloration due to sunlight or passage of time
- direct exposure to moisture, salt air, corrosive material
- warpage due to high humidity or excessive heat
- failure to follow proper instructions for measuring, installing, or operating the blind

Some wrinkling or puckering is inherent to textile products and should be considered normal, acceptable quality.

Consumers should be aware that colors vary from dye lot to dye lot and may not match sample swatches or colors from previous purchases. In the event, there are multiple blinds in the same room, only the defective blind will be repaired or replaced. This warranty is limited to blinds installed in residential dwellings and only those blinds manufactured by Rowley Company. Different warranty periods and terms apply for commercial applications.

For warranty service, you must ship or deliver the blind(s) to Rowley Company at the address provided below. You will bear the cost of shipping/ delivery the blind(s) to Rowley Company and return shipment or delivery to you. Rowley Company is not responsible for costs associated with taking down or reinstalling the product if you have any questions about our warranty, please contact us at the address below.

8801 Ambassador Row  
Dallas, Texas 75247

# TERMS AND CONDITIONS

Rowley Company will not have any liability for defective blinds other than repair or replacement provided for in this Warranty, which is your sole remedy under this Warranty.

**Note:** In no event shall Rowley Company be liable or responsible for incidental or consequential damages or for any other indirect loss, damage, cost or expense. Some states do not allow the exclusion or limitation of incidental or consequential damages, so the above limitation or exclusion may not apply to you. This Warranty gives you specific legal rights, and you may also have other rights which vary from state to state.

## Additional Information

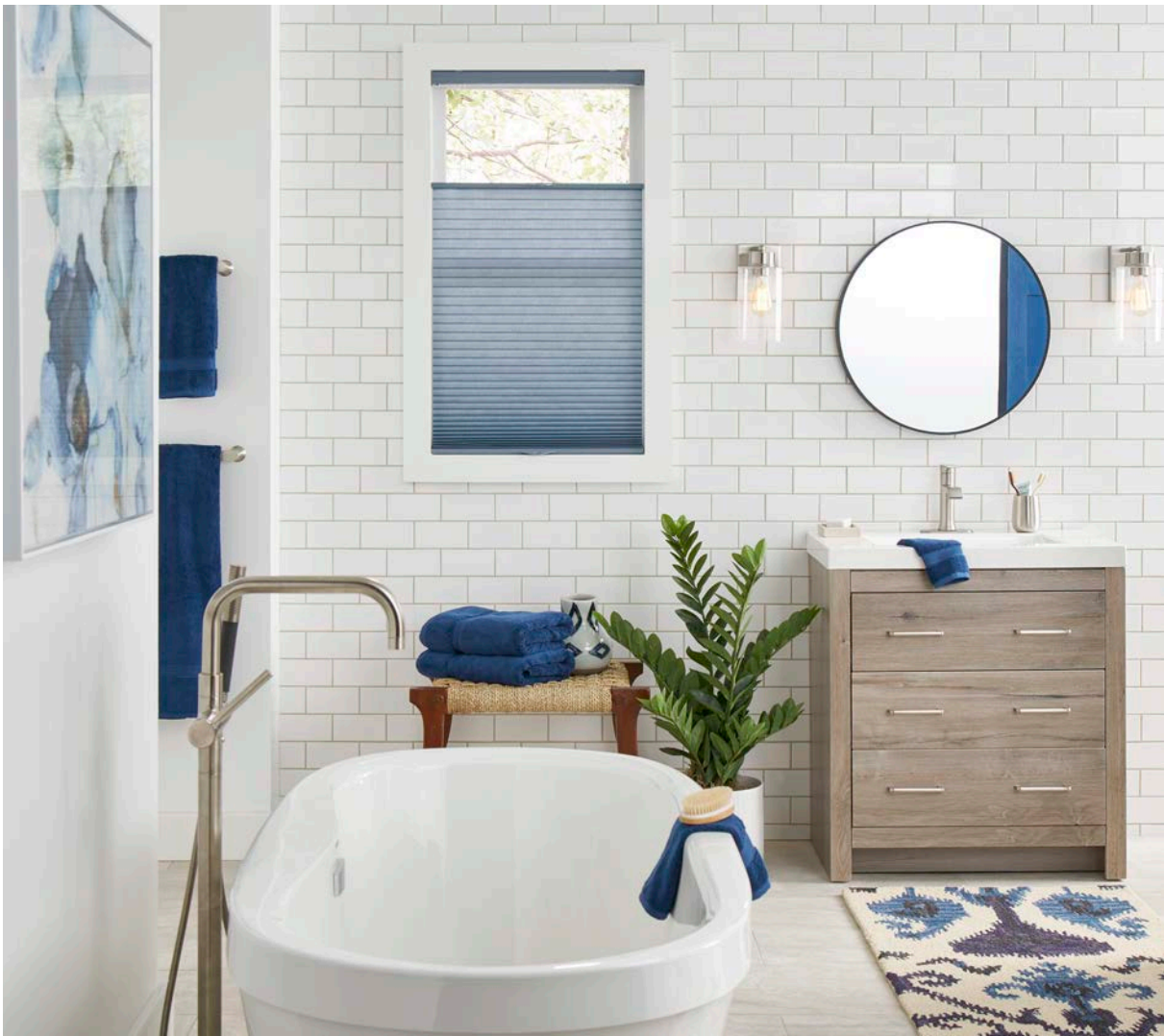
- Normal wear and tear is the expected decline in the condition of a blind/shade due to normal everyday use, not caused by abuse or neglect. All moving parts, such as cords (internal and external), will eventually wear out and fabric may fray.
- Cellular Shades should be raised regularly for cells to retain their best memory. Loss of pleating is not covered by the Warranty if shades are not being cycled regularly.

## Warranty Guidelines

Product/Component	Period Coverage
All moving parts, rails, components	Limited Lifetime
All fabric, decorative film	5 Years
All cords	3 Years
<b>Motorization</b>	
Motors	5 Years
Remote Controls, Switches, Etc.	90 Days

- Discontinued components or color selections will be replaced with the closest equivalent current product.
- Loose fibers may appear on material edges from time to time. This is normal and does not affect the overall integrity of the shade. Simply trim off the loose fibers with a pair of sharp scissors. Do NOT pull threads.
- Roller Shade material edges may curl inward (hourglass). This is especially noticeable on long narrow shades.

# TABLE OF CONTENTS



## *Cellular Shades*

Product Specifications .....	17
Operating Options.....	18
Specialty Applications .....	19-20

Color coordination Chart .....	21-25
Stack Chart.....	26
Product Components.....	27



# PRODUCT SPECIFICATIONS

## Cellular Shades

PRODUCT	MIN WIDTH	MAX WIDTH	MIN HEIGHT	MAX HEIGHT
Cordless Lift	12"	96"	12"	84" (varies by pattern)
Cordless Lift (TDBU)	18"	96"	8"	84"
2 on 1 Headrail	24"	up to 144"	12"	96"
Motorized	20"	120"	18"	96"
Motorized (TDBU) N/A	NA	NA	NA	NA
Arch (Stationary)	12"	72"	12"	36"
Half Arch (Stationary)	12"	36"	12"	36"

\*Hold Down brackets, Extension brackets, and Spacer blocks- available upon request

### DEPTH REQUIREMENTS

PRODUCT	MIN DEPTH	FLUSH DEPTH REQUIREMENT	OM MINIMUM MOUNTING SURFACE HEIGHT
Cellular Shades	7/8"	2 <sup>3</sup> / <sub>8</sub> "	1 <sup>5</sup> / <sub>8</sub> "
Arch, Half Arch	1 <sup>1</sup> / <sub>4</sub> "	2 <sup>3</sup> / <sub>8</sub> "	3/4"
2 on 1 Headrail	7/8"	2 <sup>3</sup> / <sub>8</sub> "	1 <sup>5</sup> / <sub>8</sub> "
Motorized	7/8"	2 <sup>3</sup> / <sub>8</sub> "	1 <sup>5</sup> / <sub>8</sub> "
Motorized (TDBU) N/A	NA	NA	NA

### FACTORY DEDUCTIONS

Inside Mount (IM) measurements represent the exact window opening size, the factory will make the following deductions to ensure a proper fit. Outside Mount (OM) measurements represent the exact blind size needed. No allowances will be made by the factory.

PRODUCT	IM DEDUCTIONS		IM DEDUCTIONS HEIGHT	OM DEDUCTIONS WIDTH	OM DEDUCTIONS HEIGHT
	WIDTH				
Cordless	3/8" Rail	1/2" Fabric	None	1/8" Fabric Only	None
Cordless TDBU	3/8" Rail	1/2" Fabric	None	1/8" Fabric Only	None
Arch/Half Arch	3/8" Rail	1/2" Fabric	1/8"	1/8" Fabric Only	None
Motorized	3/8" Rail	1/2" Fabric	None	1/8" Fabric Only	None

\*3/8" Rail deduction includes endcaps

# OPERATING OPTIONS



## Cordless Lift

- Lift and lower the shade by slowly raising or lowering the bottomrail



## Two-On-One Headrail

- Two separate shades on one continuous headrail.
- Available in Cordless, and Motorized.
- Price as 2 separate shades



## Top Down/Bottom UP (TDBU)

Top-Down feature lets you lower the top of the shade while Bottom Up allows the shade to be raised from the bottom at the same time.

Available in:

- Top Down/Bottom Up (TDBU) shades feature a magnetic catch to eliminate light gap between the headrail and moving middle rail.
- Cordless



## Motorization

- R-TEC Automation® available as Standard bottom up only.
- Radio Frequency with Li-Ion DC external battery pack.
- Shades up to 120" x 96"
- At least 1 battery charger required per order.
- See Motorization pricelist for more information and pricing.

# SPECIALTY APPLICATIONS

## Side & Sill Privacy Strip

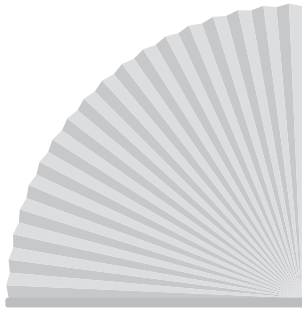
- A simple L-shaped channel, this privacy strip easily attaches with tape or screws to your window frame to cover light gaps. An inexpensive upgrade to give your windows full coverage.
- Works best with: Blackout Cellular Shades. Can be used with light filtering shades to provide additional privacy on the edges however light will still enter the room through the shade.
- Available in 3 colors to match your window: White, Aluminum, Bronze
- Size: 1 1/2" x 3 1/4"; Requires 3/4" mounting space
- Maximum length 108"
- We recommended mounting the light block behind the material. It can be placed behind or in front of your window treatment, but the aesthetic of your window may be compromised if installed in front. Experiment with placement before you remove the backing off the adhesive.



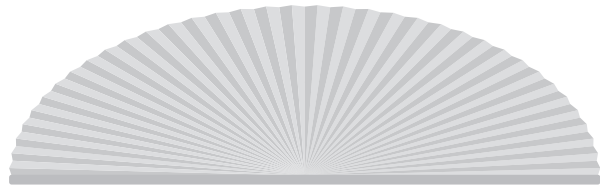
# SPECIALTY APPLICATIONS

## Arches

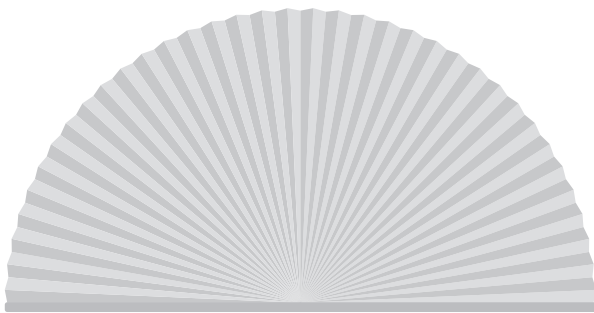
- Arch types – Perfect Arch, Imperfect or Eyebrow Arch; Extended Arch, Half Arch.
- Arches are made as semi-circles. Special cuts to be done at installation.



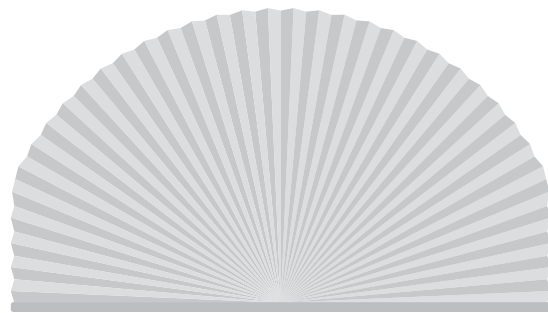
Half Arch



Eyebrow



Arch



Extended Arch

## Measuring for Specialty Shapes

It is necessary to create a paper template when ordering specialty shaped cellular shades.

- The maximum width we can make without a customer provided template is 80", the minimum height is 48". Specialty shades exceeding these size limitations require a custom paper template.
- For extended or eyebrow arches also provide the left and right-side height measurements. Left and right sides must be equal measurements, or a template must be provided.

## Custom Templates

MAIL TO Rowley Company  
 Attn: Blinds & Shades Templates  
 8801 Ambassador Drive  
 Dallas, Texas 75247

\*Please note order # and which side of the template faces the room (front)

# FABRIC WIDTH/RAIL COORDINATION CHART/PRICE GROUP

CELL SIZE	OPACITY	SINGLE CELL	PATTERN NAME	COLOR	COLOR #	FABRIC WIDTH	PRICE GROUP	HEADRAIL COLOR	HEADRAIL COLOR #	BOTTOMRAIL COLOR #
3/4"	Light Filtering	S	Denim LF	Antique White	C1-702	144"	3	Latte	CH-14	CB-14
3/4"	Light Filtering	S	Denim LF	Mint	C1-701	144"	3	Fern	CH-27	CB-27
3/4"	Light Filtering	S	Denim LF	Wet Pavement	C1-703	144"	3	Silver	CH-15	CB-15
3/4"	Room Darkening	S	Denim RD	Bay Sands	C2-802	144"	4	Rocky Bluffs	CH-23	CB-23
3/4"	Room Darkening	S	Denim RD	Dog Park	C2-801	144"	4	Fern	CH-27	CB-27
3/4"	Room Darkening	S	Denim RD	Yachtsman	C2-803	144"	4	Ultra White	CH-20	CB-20
3/4"	Light Filtering	S	Linen LF	City Storm	C1-403	144"	3	Silver	CH-15	CB-15
3/4"	Light Filtering	S	Linen LF	Filtered Shade	C1-404	144"	3	Latte	CH-14	CB-14
3/4"	Light Filtering	S	Linen LF	Sidewalk	C1-401	144"	3	Latte	CH-14	CB-14
3/4"	Light Filtering	S	Linen LF	Stone Manor	C1-405	144"	3	Muddy Water	CH-19	CB-19
3/4"	Light Filtering	S	Linen LF	Voyage	C1-402	144"	3	Autumn Fog	CH-11	CB-11
3/4"	Room Darkening	S	Linen RD	Deep Sliver	C2-303	144"	4	Midnight Fog	CH-17	CB-17
3/4"	Room Darkening	S	Linen RD	Earth	C2-301	144"	4	Latte	CH-14	CB-14
3/4"	Room Darkening	S	Linen RD	Misty	C2-304	144"	4	Cream	CH-16	CB-16
3/4"	Room Darkening	S	Linen RD	Pewter	C2-305	144"	4	Muddy Water	CH-19	CB-19
3/4"	Room Darkening	S	Linen RD	Ship Gray	C2-302	144"	4	Autumn Fog	CH-11	CB-11
3/4"	Light Filtering	S	Luxe LF	Almond	C1-108	118"	1	Clay	CH-28	CB-28
3/4"	Light Filtering	S	Luxe LF	Beneva	C1-130	118"	1	Autumn Fog	CH-11	CB-11
3/4"	Light Filtering	S	Luxe LF	Blanched Time	C1-102	118"	1	Bistro White	CH-22	CB-22
3/4"	Light Filtering	S	Luxe LF	Blue Ocean	C1-132	118"	1	Iron Frost	CH-18	CB-18

# FABRIC WIDTH/RAIL COORDINATION CHART/PRICE GROUP

CELL SIZE	OPACITY	SINGLE CELL	PATTERN NAME	COLOR	COLOR #	FABRIC WIDTH	PRICE GROUP	HEADRAIL COLOR	HEADRAIL COLOR #	BOTTOMRAIL COLOR #
3/4"	Light Filtering	S	Luxe LF	Bright White	C1-122	118"	1	Ultra White	CH-20	CB-20
3/4"	Light Filtering	S	Luxe LF	City Storm	C1-129	118"	1	Silver	CH-15	CB-15
3/4"	Light Filtering	S	Luxe LF	Coastal Villa	C1-120	118"	1	Coco	CH-24	CB-24
3/4"	Light Filtering	S	Luxe LF	Cream	C1-107	118"	1	Bistro White	CH-22	CB-22
3/4"	Light Filtering	S	Luxe LF	Deep Walnut	C1-112	118"	1	Coco	CH-24	CB-24
3/4"	Light Filtering	S	Luxe LF	Dew Kissed	C1-104	118"	1	Tranquil White	CH-25	CB-25
3/4"	Light Filtering	S	Luxe LF	Fox Trot	C1-105	118"	1	Tranquil White	CH-25	CB-25
3/4"	Light Filtering	S	Luxe LF	Gray	C1-117	118"	1	Midnight Fog	CH-17	CB-17
3/4"	Light Filtering	S	Luxe LF	Hopsack	C1-127	118"	1	Silver	CH-15	CB-15
3/4"	Light Filtering	S	Luxe LF	Khaki	C1-114	118"	1	Muddy Water	CH-19	CB-19
3/4"	Light Filtering	S	Luxe LF	Lava	C1-121	118"	1	Midnight Fog	CH-17	CB-17
3/4"	Light Filtering	S	Luxe LF	Leather	C1-109	118"	1	Latte	CH-14	CB-14
3/4"	Light Filtering	S	Luxe LF	Milk Toast	C1-126	118"	1	Silver Leaf	CH-21	CB-21
3/4"	Light Filtering	S	Luxe LF	Mudslide	C1-111	118"	1	Rocky Bluffs	CH-23	CB-23
3/4"	Light Filtering	S	Luxe LF	Mystique	C1-123	118"	1	Ultra White	CH-20	CB-20
3/4"	Light Filtering	S	Luxe LF	Night Sky	C1-133	118"	1	Iron Frost	CH-18	CB-18
3/4"	Light Filtering	S	Luxe LF	Parchment Gold	C1-110	118"	1	Latte	CH-14	CB-14
3/4"	Light Filtering	S	Luxe LF	Sable	C1-113	118"	1	Black	CH-12	CB-12
3/4"	Light Filtering	S	Luxe LF	Sandcastle	C1-106	118"	1	Cream	CH-16	CB-16
3/4"	Light Filtering	S	Luxe LF	Silver Bullet	C1-116	118"	1	Silver	CH-15	CB-15

# FABRIC WIDTH/RAIL COORDINATION CHART/PRICE GROUP

CELL SIZE	OPACITY	SINGLE CELL	PATTERN NAME	COLOR	COLOR #	FABRIC WIDTH	PRICE GROUP	HEADRAIL COLOR	HEADRAIL COLOR #	BOTTOMRAIL COLOR #
3/4"	Light Filtering	S	Luxe LF	Sparkling Lake	C1-118	118"	1	Dewkissed White	CH-26	CB-26
3/4"	Light Filtering	S	Luxe LF	Stillness	C1-103	118"	1	Dewkissed White	CH-26	CB-26
3/4"	Light Filtering	S	Luxe LF	Subway Tile	C1-101	118"	1	Ultra White	CH-20	CB-20
3/4"	Light Filtering	S	Luxe LF	Summer Wish	C1-125	118"	1	Rocky Bluffs	CH-23	CB-23
3/4"	Light Filtering	S	Luxe LF	Twilight	C1-131	118"	1	Silver Leaf	CH-21	CB-21
3/4"	Light Filtering	S	Luxe LF	Wafer	C1-124	118"	1	Cream	CH-16	CB-16
3/4"	Light Filtering	S	Luxe LF	Wild Basil	C1-115	118"	1	Fern	CH-27	CB-27
3/4"	Light Filtering	S	Luxe LF	Wild Hawk	C1-119	118"	1	Rocky Bluffs	CH-23	CB-23
3/4"	Light Filtering	S	Luxe LF	Withered Moss	C1-128	118"	1	Mint	CH-13	CB-13
3/4"	Room Darkening	S	Luxe RD	Artic White	C2-203	118"	2	Dewkissed White	CH-26	CB-26
3/4"	Room Darkening	S	Luxe RD	Balcony	C2-220	118"	2	Coco	CH-24	CB-24
3/4"	Room Darkening	S	Luxe RD	Borough	C2-227	118"	2	Silver	CH-15	CB-15
3/4"	Room Darkening	S	Luxe RD	Café Miel	C2-208	118"	2	Clay	CH-28	CB-28
3/4"	Room Darkening	S	Luxe RD	City Snow	C2-204	118"	2	Tranquil White	CH-25	CB-25
3/4"	Room Darkening	S	Luxe RD	Color of Money	C2-228	118"	2	Mint	CH-13	CB-13
3/4"	Room Darkening	S	Luxe RD	Crisp Linen	C2-206	118"	2	Cream	CH-16	CB-16
3/4"	Room Darkening	S	Luxe RD	Dogwood Petal	C2-207	118"	2	Bistro White	CH-22	CB-22
3/4"	Room Darkening	S	Luxe RD	Fishermans Warf	C2-216	118"	2	Silver	CH-15	CB-15
3/4"	Room Darkening	S	Luxe RD	Fleecy	C2-205	118"	2	Tranquil White	CH-25	CB-25
3/4"	Room Darkening	S	Luxe RD	Foggy Mist	C2-229	118"	2	Silver	CH-15	CB-15

# FABRIC WIDTH/RAIL COORDINATION CHART/PRICE GROUP

CELL SIZE	OPACITY	SINGLE CELL	PATTERN NAME	COLOR	COLOR #	FABRIC WIDTH	PRICE GROUP	HEADRAIL COLOR	HEADRAIL COLOR #	BOTTOMRAIL COLOR #
3/4"	Room Darkening	S	Luxe RD	Granola	C2-209	118"	2	Latte	CH-14	CB-14
3/4"	Room Darkening	S	Luxe RD	Harbor View	C2-232	118"	2	Iron Frost	CH-18	CB-18
3/4"	Room Darkening	S	Luxe RD	Irish Pub	C2-215	118"	2	Fern	CH-27	CB-27
3/4"	Room Darkening	S	Luxe RD	Keystone	C2-225	118"	2	Rocky Bluffs	CH-23	CB-23
3/4"	Room Darkening	S	Luxe RD	Loft Light	C2-223	118"	2	Ultra White	CH-20	CB-20
3/4"	Room Darkening	S	Luxe RD	Midnight Bayou	C2-233	118"	2	Iron Frost	CH-18	CB-18
3/4"	Room Darkening	S	Luxe RD	Mink	C2-214	118"	2	Muddy Water	CH-19	CB-19
3/4"	Room Darkening	S	Luxe RD	Muted Ebony	C2-213	118"	2	Black	CH-12	CB-12
3/4"	Room Darkening	S	Luxe RD	Paparazzi	C2-222	118"	2	Ultra White	CH-20	CB-20
3/4"	Room Darkening	S	Luxe RD	Pier 14	C2-221	118"	2	Midnight Fog	CH-17	CB-17
3/4"	Room Darkening	S	Luxe RD	Portland	C2-219	118"	2	Rocky Bluffs	CH-23	CB-23
3/4"	Room Darkening	S	Luxe RD	Rain Puddle	C2-217	118"	2	Midnight Fog	CH-17	CB-17
3/4"	Room Darkening	S	Luxe RD	Safari Beige	C2-212	118"	2	Coco	CH-24	CH-24
3/4"	Room Darkening	S	Luxe RD	Sandy Cove	C2-210	118"	2	Latte	CH-14	CB-14
3/4"	Room Darkening	S	Luxe RD	Sauna	C2-218	118"	2	Dewkissed White	CH-26	CB-26
3/4"	Room Darkening	S	Luxe RD	Silk	C2-224	118"	2	Cream	CH-16	CB-16
3/4"	Room Darkening	S	Luxe RD	Smoked Oyster	C2-211	118"	2	Rocky Bluffs	CH-23	CB-23
3/4"	Room Darkening	S	Luxe RD	Soft White	C2-202	118"	2	Bistro White	CH-22	CB-22
3/4"	Room Darkening	S	Luxe RD	Studio	C2-230	118"	2	Autumn Fog	CH-11	CB-11
3/4"	Room Darkening	S	Luxe RD	Twin Cities	C2-231	118"	2	Silver Leaf	CH-21	CB-21



# FABRIC WIDTH/RAIL COORDINATION CHART/PRICE GROUP

CELL SIZE	OPACITY	SINGLE CELL	PATTERN NAME	COLOR	COLOR #	FABRIC WIDTH	PRICE GROUP	HEADRAIL COLOR	HEADRAIL COLOR #	BOTTOMRAIL COLOR #
3/4"	Room Darkening	S	Luxe RD	Upper East Side	C2-226	118"	2	Silver Leaf	CH-21	CB-21
3/4"	Room Darkening	S	Luxe RD	White	C2-201	118"	2	Ultra White	CH-20	CB-20
3/4"	Light Filtering	S	Starlight	Alabaster	C1-603	144"	3	Latte	CH-14	CB-14
3/4"	Light Filtering	S	Starlight	Blue	C1-601	144"	3	Iron Frost	CH-18	CB-18
3/4"	Light Filtering	S	Starlight	Pewter	C1-602	144"	3	Muddy Water	CH-19	CB-19
3/4"	Light Filtering	S	Textures	Alabaster	C1-502	144"	5	Latte	CH-14	CB-14
3/4"	Light Filtering	S	Textures	Bright White	C1-501	144"	5	Ultra White	CH-20	CB-20
3/4"	Light Filtering	S	Textures	Coffee	C1-504	144"	5	Cocoa	CH-24	CB-24
3/4"	Light Filtering	S	Textures	Stone	C1-503	144"	5	Silver Leaf	CH-21	CB-21

## STACK CHART

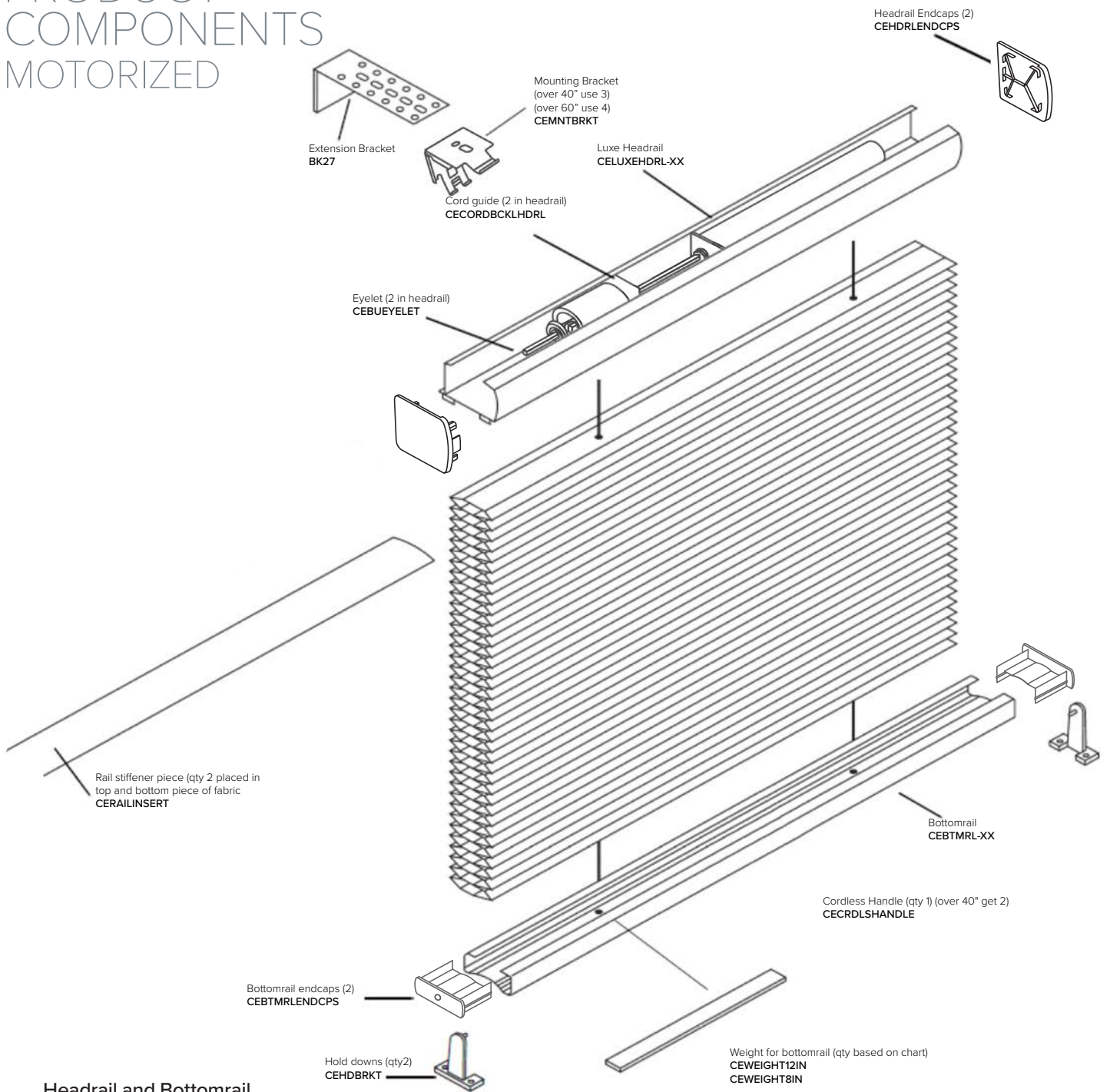
### Cordless

PATTERN	SHADE DROP			
	48"	72"	84"	96"
Denim LF	2 <sup>7</sup> / <sub>8</sub> "	3 <sup>1</sup> / <sub>8</sub> "	3 <sup>1</sup> / <sub>4</sub> "	3 <sup>3</sup> / <sub>8</sub> "
Linen LF	2 <sup>7</sup> / <sub>8</sub> "	3 <sup>1</sup> / <sub>8</sub> "	3 <sup>1</sup> / <sub>4</sub> "	3 <sup>3</sup> / <sub>8</sub> "
Luxe LF	2 <sup>1</sup> / <sub>2</sub> "	2 <sup>3</sup> / <sub>4</sub> "	3"	3"
Starlight LF	3"	3 <sup>3</sup> / <sub>8</sub> "	3 <sup>5</sup> / <sub>8</sub> "	3 <sup>7</sup> / <sub>8</sub> "
Textures LF	3"	3 <sup>3</sup> / <sub>8</sub> "	3 <sup>5</sup> / <sub>8</sub> "	3 <sup>7</sup> / <sub>8</sub> "
Denim RD	2 <sup>3</sup> / <sub>4</sub> "	3 <sup>1</sup> / <sub>8</sub> "	3 <sup>1</sup> / <sub>4</sub> "	3 <sup>3</sup> / <sub>8</sub> "
Linen RD	2 <sup>3</sup> / <sub>4</sub> "	3 <sup>1</sup> / <sub>8</sub> "	3 <sup>1</sup> / <sub>4</sub> "	3 <sup>3</sup> / <sub>8</sub> "
Luxe RD	2 <sup>3</sup> / <sub>8</sub> "	3"	3 <sup>1</sup> / <sub>8</sub> "	3 <sup>1</sup> / <sub>2</sub> "

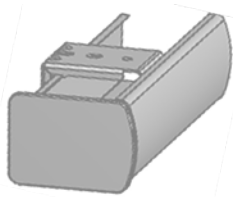
### Top Down / Bottom Up

PATTERN	SHADE DROP			
	48"	72"	84"	96"
Denim LF	3 <sup>1</sup> / <sub>2</sub> "	3 <sup>5</sup> / <sub>8</sub> "	3 <sup>3</sup> / <sub>4</sub> "	3 <sup>7</sup> / <sub>8</sub> "
Linen LF	3 <sup>1</sup> / <sub>2</sub> "	3 <sup>5</sup> / <sub>8</sub> "	3 <sup>3</sup> / <sub>4</sub> "	3 <sup>7</sup> / <sub>8</sub> "
Luxe LF	3"	3 <sup>1</sup> / <sub>4</sub> "	3 <sup>1</sup> / <sub>2</sub> "	3 <sup>1</sup> / <sub>2</sub> "
Starlight LF	3 <sup>1</sup> / <sub>2</sub> "	3 <sup>7</sup> / <sub>8</sub> "	4 <sup>1</sup> / <sub>8</sub> "	4 <sup>3</sup> / <sub>8</sub> "
Textures LF	3 <sup>1</sup> / <sub>2</sub> "	3 <sup>7</sup> / <sub>8</sub> "	4 <sup>1</sup> / <sub>8</sub> "	4 <sup>3</sup> / <sub>8</sub> "
Denim RD	3 <sup>1</sup> / <sub>4</sub> "	3 <sup>5</sup> / <sub>8</sub> "	3 <sup>3</sup> / <sub>4</sub> "	3 <sup>7</sup> / <sub>8</sub> "
Linen RD	3 <sup>1</sup> / <sub>4</sub> "	3 <sup>5</sup> / <sub>8</sub> "	3 <sup>3</sup> / <sub>4</sub> "	3 <sup>7</sup> / <sub>8</sub> "
Luxe RD	2 <sup>7</sup> / <sub>8</sub> "	3 <sup>1</sup> / <sub>2</sub> "	3 <sup>5</sup> / <sub>8</sub> "	4"

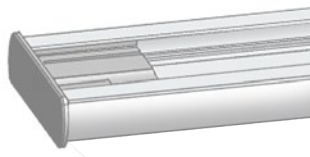
# PRODUCT COMPONENTS MOTORIZED



## Headrail and Bottomrail



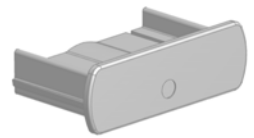
**Luxe Cellular Headrail**  
2 7/16" D x 1 7/16" H



**Bottomrail**  
1 1/2" D x 9/16" H

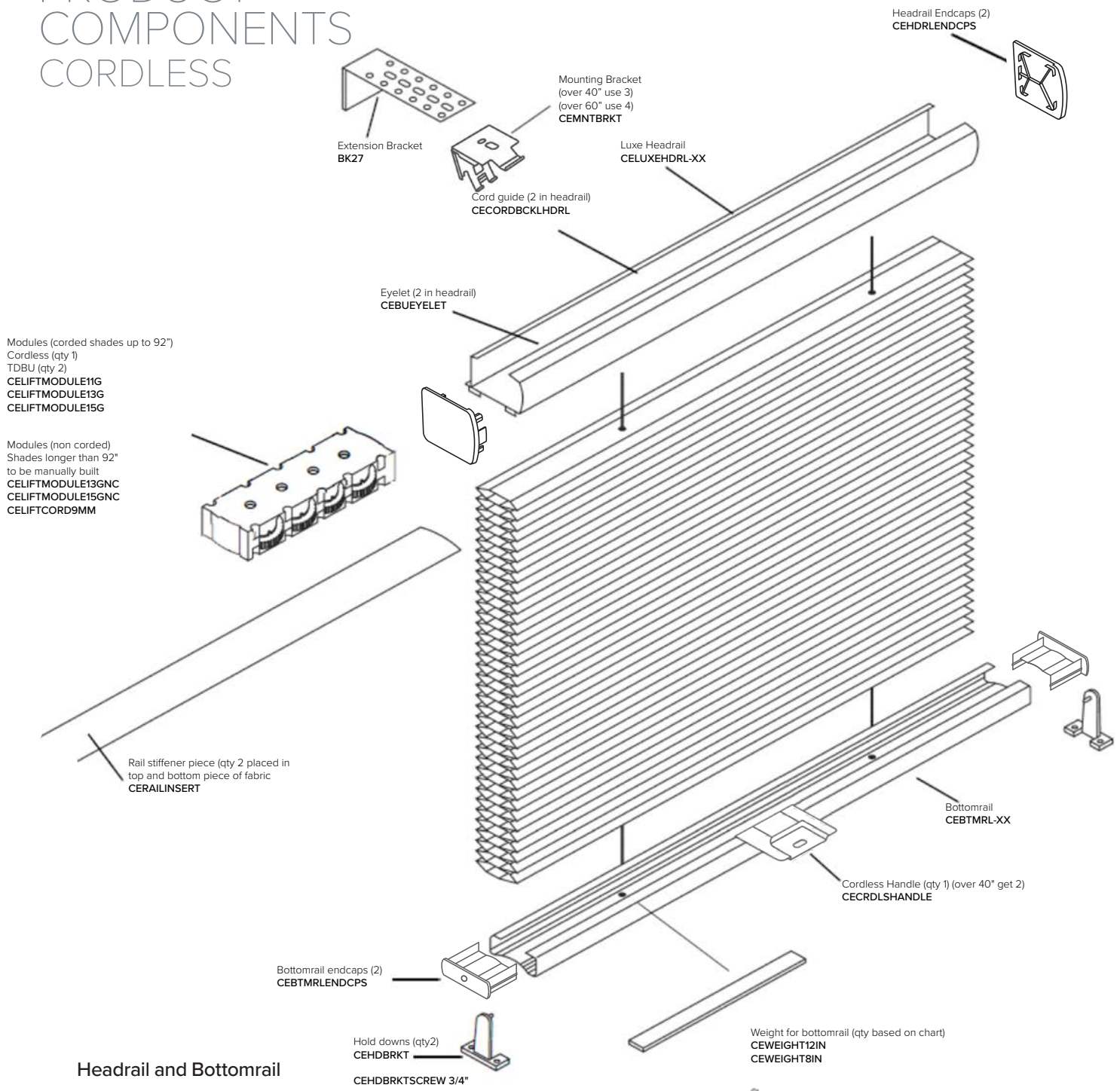


**Headrail Endcaps**

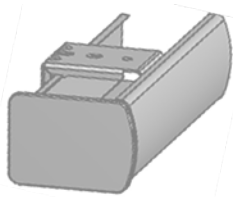


**Bottomrail Endcaps**

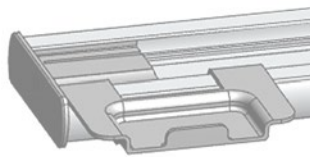
# PRODUCT COMPONENTS CORDLESS



## Headrail and Bottomrail



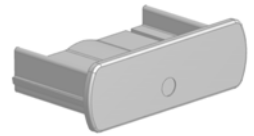
**Luxe Cellular Headrail**  
2 7/16" D x 1 7/16" H



**Bottomrail**  
1 1/2" D x 9/16" H



**Headrail Endcaps**



**Bottomrail Endcaps**

**Cordless Handle**  
2 7/16" W x 7/8" H

# TABLE OF CONTENTS



## *Roller Shades*

Product Characteristics .....	28-30
Product Specifications .....	31-35
Operating Options.....	36
Specialty Applications .....	37

Design Options.....	38
Fabric Size Charts.....	39-40
Product Components.....	41-44



# PRODUCT CHARACTERISTICS

Roller Shades are available as decorative fabrics and solar screens.



*Roller Shades feature clean lines and a streamlined appearance. Updated colors and options create a traditional shade that will never go out of style. A perfect base when layering window treatments.*



*Solar Screen shades will preserve your view yet work hard to improve energy efficiency by reducing glare and heat gain. By substantially blocking harmful UV rays, solar screen shades will help protect furniture and carpet from fading.*

Although we maintain the strictest quality standards and inspect every shade before it leaves our factory, the following characteristics are considered normal and are not manufacturing defects:

- Loose fibers may appear on material edges from time to time. This is normal and does not affect the overall integrity of the shade. Simply trim off the loose fibers with a pair of sharp scissors.
- Material edges may curl inward (hourglass). This is especially noticeable on long narrow as well as railroad shades.
- Screen material is designed to have a clear view-through when viewing directly or on a slight angle. Waviness and distortion is characteristic when viewing from an angle of approximately 30% or more, depending on the pattern.
- Inside mount shades will have light leaks at the top and around outer edges of shades. This is especially noticeable on blackout and room darkening materials.
- Material tube deflection may occur, and a slight V shape may appear in the top and center portion of the shade, especially on shades over 120" wide. This is considered normal, providing that the material does not wrinkle when rolled up onto the tube.
- Please be aware that installing screen shades on windows with insect screens may cause a moire effect.
- Shades where the length exceeds the width by a 3 to 1 ratio may experience telescoping to one side as it is raised and lowered, and will experience curling along the edges, this is not a defect in the product.

### Fabric Disclaimers

- Fabric appearance can vary based on changing light conditions in a room and color reflection of the interior décor.
- There may be creases in fabric due to the time rolled up in the packaging material during the transit. To remove creases, unroll the shade completely, and let it hang for several days. Most wrinkles will resolve after a several days.
- Due to the nature of the weaving process, some imperfections in the weave are normal.

### Pattern Alignment

- No guarantee on fabric pattern alignment for side by side shades. Under shades with cassettes, vertical alignment of the shade fabric is not possible.
- Fabric with repeat patterns are not centered on the shade.

### Straighten Shade

If your shade does not roll straight, check if shade installed level. If not, level shade first then correct as follows:

Figure A — Shade veers toward right, or left. Correct by lowering shade completely exposing the roller tube and wrapping a 1 1/2" long piece of masking tape, as shown in Figure B, on the shorter side (opposite of where it's veering). This increases the diameter of the roller slightly, acting as a straightener. Then raise and lower the shade. If shade does not still roll straight, add a second layer of tape and repeat process. Continue to add tape until shade rolls straight.



Figure A

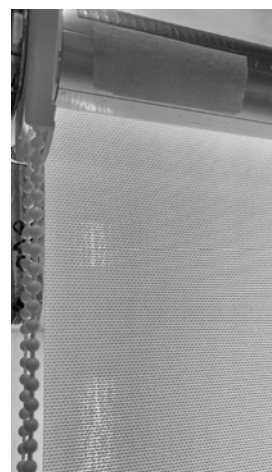


Figure B

# PRODUCT SPECIFICATIONS

PRODUCT TYPE	ROLLER TUBE SIZE	MINIMUM WIDTH	MINIMUM HEIGHT	MAXIMUM WIDTH	MAXIMUM HEIGHT	INSIDE MOUNT ALLOWANCE		OUTSIDE MOUNT ALLOWANCE
Clutch Roller (Open Roll) with Shroud Chain Cover	1 <sup>1</sup> / <sub>4</sub> "	12"	12"	72"	96"	1/8" bracket-to-bracket	1 <sup>1</sup> / <sub>8</sub> " fabric	1" fabric only
	1 <sup>1</sup> / <sub>2</sub> "	12"	12"	108"	120"	1/8" bracket-to-bracket	1 <sup>1</sup> / <sub>4</sub> " fabric	1 <sup>1</sup> / <sub>8</sub> " fabric only
	2"	12"	12"	118"	144"	1/8" bracket-to-bracket	1 <sup>1</sup> / <sub>4</sub> " fabric	1 <sup>1</sup> / <sub>8</sub> " fabric only
Cordless Lift (non cassette)	1 <sup>1</sup> / <sub>2</sub> "	26"	12"	96"	96"	1/8" bracket-to-bracket	5/8" fabric	3/4" fabric only
Cordless Lift w/ Cassette 100	1 <sup>1</sup> / <sub>2</sub> "	26"	12"	96"	96"	1/8" bracket-to-bracket	7/8" fabric	3/4" fabric only
Cordless Lift w/ Cassette 120*	1 <sup>1</sup> / <sub>2</sub> "	width 26"-30" - max height 72"						
Cordless Ultra w/ Square Cassette 110	1 <sup>1</sup> / <sub>2</sub> "	width 26"-30" - max height 72"						
Dual Shade (Open Roll)	1 <sup>1</sup> / <sub>4</sub> "	12"	12"	72"	96"	1/8" bracket-to-bracket	1 <sup>1</sup> / <sub>8</sub> " fabric	1" fabric only
Dual Shade (Open Roll)	1 <sup>1</sup> / <sub>2</sub> "	12"	12"	108"	96"	1/8" bracket-to-bracket	1 <sup>1</sup> / <sub>8</sub> " fabric	1" fabric only
Dual Shade (Open Roll)	2"	12"	12"	118"	144"	1/8" bracket-to-bracket	1 <sup>1</sup> / <sub>8</sub> " fabric	1" fabric only

## MOTORIZATION (Open Roll) LI-Ion Rechargeable Motorization

R-TEC 25mm 1.1Nm	1 <sup>1</sup> / <sub>4</sub> "	21"	12"	72"	84"	1/8" bracket-to-bracket	1 <sup>3</sup> / <sub>8</sub> " fabric	1 <sup>1</sup> / <sub>4</sub> " fabric only
R-TEC 25mm 1.1Nm	1 <sup>1</sup> / <sub>2</sub> "	29 <sup>1</sup> / <sub>2</sub> "	12"	108"	120"	1/8" bracket-to-bracket	1 <sup>3</sup> / <sub>8</sub> " fabric	1 <sup>1</sup> / <sub>4</sub> " fabric only
R-TEC 28mm 2Nm	1 <sup>1</sup> / <sub>2</sub> "	29 <sup>1</sup> / <sub>2</sub> "	12"	108"	120"	1/8" bracket-to-bracket	1 <sup>3</sup> / <sub>8</sub> " fabric	1 <sup>1</sup> / <sub>4</sub> " fabric only
R-TEC 28mm 2Nm	2"	32"	12"	120"	132"	1/8" bracket-to-bracket	1 <sup>3</sup> / <sub>8</sub> " fabric	1 <sup>1</sup> / <sub>4</sub> " fabric only
R-TEC 35mm 3Nm	2 <sup>3</sup> / <sub>8</sub> "	42"	12"	120"	132"			
R-TEC 45mm 3Nm	2 <sup>1</sup> / <sub>2</sub> "	42"	12"	144"	144"	1/8" bracket-to-bracket	2 <sup>1</sup> / <sub>4</sub> " fabric	2 <sup>1</sup> / <sub>8</sub> " fabric only
R-TEC 45mm 3Nm	3 <sup>1</sup> / <sub>4</sub> "	42"	12"	165"	144"	1/8" bracket-to-bracket	2 <sup>1</sup> / <sub>4</sub> " fabric	2 <sup>3</sup> / <sub>8</sub> " fabric only
R-TEC 45mm 3Nm	1 <sup>1</sup> / <sub>4</sub> "	21"	12"	72"	84"	1/8" bracket-to-bracket	1 <sup>3</sup> / <sub>8</sub> " fabric	1 <sup>1</sup> / <sub>4</sub> " fabric only
R-TEC 45mm 10Nm	1 <sup>1</sup> / <sub>2</sub> "	29 <sup>1</sup> / <sub>2</sub> "	12"	108"	120"	1/8" bracket-to-bracket	1 <sup>3</sup> / <sub>8</sub> " fabric	1 <sup>1</sup> / <sub>4</sub> " fabric only
R-TEC 45mm 10Nm	2"	32"	12"	120"	120"	1/8" bracket-to-bracket	1 <sup>3</sup> / <sub>8</sub> " fabric	1 <sup>1</sup> / <sub>4</sub> " fabric only
R-TEC 45mm 10Nm	3 <sup>1</sup> / <sub>4</sub> "	42"	12"	165"	144"	1/8" bracket-to-bracket	2 <sup>1</sup> / <sub>4</sub> " fabric	2 <sup>3</sup> / <sub>8</sub> " fabric only

# PRODUCT SPECIFICATIONS

PRODUCT TYPE	ROLLER TUBE SIZE	MINIMUM WIDTH	MINIMUM HEIGHT	MAXIMUM WIDTH	MAXIMUM HEIGHT	INSIDE MOUNT ALLOWANCE	OUTSIDE MOUNT ALLOWANCE
--------------	------------------	---------------	----------------	---------------	----------------	------------------------	-------------------------

## CASSETTE 100

*Clutch – up to 72"w	1 <sup>1</sup> / <sub>4</sub> "	12"	12"	96"	96"	1/8" endcap-to-endcap	1 <sup>1</sup> / <sub>4</sub> " fabric	1 <sup>1</sup> / <sub>8</sub> " fabric only
72"-96"w	1 <sup>1</sup> / <sub>2</sub> "	12"	12"	96"	84"	1/8" endcap-to-endcap	1 <sup>1</sup> / <sub>4</sub> " fabric	1 <sup>1</sup> / <sub>8</sub> " fabric only
R-TEC Automation 28mm	1 <sup>1</sup> / <sub>2</sub> "	29 <sup>1</sup> / <sub>2</sub> "	12"	96"	120"	1/8" endcap-to-endcap	1 <sup>3</sup> / <sub>8</sub> " fabric	1 <sup>1</sup> / <sub>4</sub> " fabric only

## CASSETTE 120

*Clutch – up to 72"w	1 <sup>1</sup> / <sub>4</sub> "	12"	12"	96"	96"	1/8" endcap-to-endcap	1 <sup>1</sup> / <sub>8</sub> " fabric	1" fabric only
72"-108"w	1 <sup>1</sup> / <sub>2</sub> "	12"	12"	96"	108"	1/8" endcap-to-endcap	1 <sup>1</sup> / <sub>4</sub> " fabric	1 <sup>1</sup> / <sub>8</sub> " fabric only
R-TEC Automation 28mm	1 <sup>1</sup> / <sub>2</sub> "	29 <sup>1</sup> / <sub>2</sub> "	12"	96"	96"	1/8" endcap-to-endcap	1 <sup>3</sup> / <sub>8</sub> " fabric	1 <sup>1</sup> / <sub>4</sub> " fabric only

## 3" SQUARE FASCIA

*Clutch	1 <sup>1</sup> / <sub>4</sub> "	12"	12"	72"	84"	1/8" endcap-to-endcap	1 <sup>1</sup> / <sub>4</sub> " fabric	1 <sup>1</sup> / <sub>8</sub> " fabric only
	1 <sup>1</sup> / <sub>2</sub> "	12"	12"	108"	84"	1/8" endcap-to-endcap	1 <sup>1</sup> / <sub>4</sub> " fabric	1 <sup>1</sup> / <sub>8</sub> " fabric only
R-TEC Automation 28mm	1 <sup>1</sup> / <sub>2</sub> "	29 <sup>1</sup> / <sub>2</sub> "	12"	108"	120"	1/8" endcap-to-endcap	1 <sup>3</sup> / <sub>8</sub> " fabric	1 <sup>1</sup> / <sub>4</sub> " fabric only

## 4" SQUARE FASCIA

*Clutch	1 <sup>1</sup> / <sub>4</sub> "	12"	12"	72"	144"	1/8" endcap-to-endcap	1 <sup>1</sup> / <sub>4</sub> " fabric	1 <sup>1</sup> / <sub>8</sub> " fabric only
	1 <sup>1</sup> / <sub>2</sub> "	12"	12"	132"	144"	1/8" endcap-to-endcap	1 <sup>1</sup> / <sub>4</sub> " fabric	1 <sup>1</sup> / <sub>8</sub> " fabric only
R-TEC Automation 28mm	1 <sup>1</sup> / <sub>2</sub> "	29 <sup>1</sup> / <sub>2</sub> "	12"	108"	120"	1/8" endcap-to-endcap	1 <sup>3</sup> / <sub>8</sub> " fabric	1 <sup>1</sup> / <sub>4</sub> " fabric only
R-TEC Automation 35mm	2"	32"	12"	120"	120"	1/8" bracket-to-bracket	1 <sup>3</sup> / <sub>8</sub> " fabric	1 <sup>1</sup> / <sub>4</sub> " fabric only



# PRODUCT SPECIFICATIONS

PRODUCT TYPE	ROLLER TUBE SIZE	MINIMUM WIDTH	MINIMUM HEIGHT	MAXIMUM WIDTH	MAXIMUM HEIGHT	INSIDE MOUNT ALLOWANCE	OUTSIDE MOUNT ALLOWANCE
--------------	------------------	---------------	----------------	---------------	----------------	------------------------	-------------------------

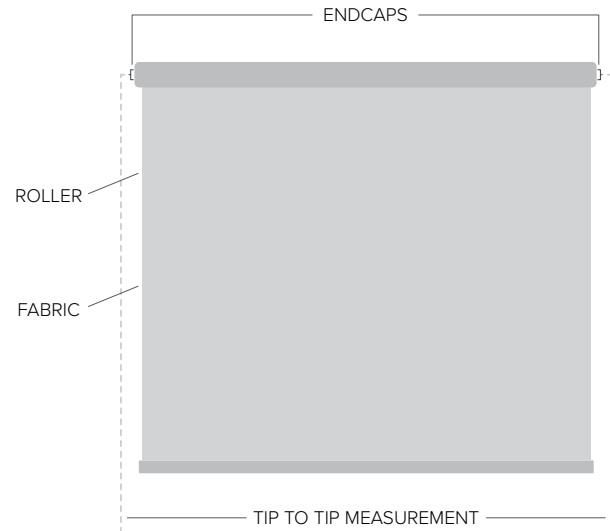
## 5" SQUARE FASCIA (SINGLE SHADES)

*Clutch	1 <sup>1</sup> / <sub>4</sub> "	12"	12"	72"	144'	1/8" endcap-to-endcap	1 <sup>1</sup> / <sub>4</sub> " fabric	1 <sup>1</sup> / <sub>8</sub> " fabric only
	2"	12"	12"	108"	144'	1/8" endcap-to-endcap	1 <sup>1</sup> / <sub>4</sub> " fabric	1 <sup>1</sup> / <sub>8</sub> " fabric only
	3 <sup>1</sup> / <sub>4</sub> "	29 <sup>1</sup> / <sub>2</sub> "	12"	108"	144"	1/8" endcap-to-endcap	1 <sup>3</sup> / <sub>8</sub> " fabric	1 <sup>1</sup> / <sub>4</sub> " fabric only
R-TEC Automation 28mm	1 <sup>1</sup> / <sub>2</sub> "	29 <sup>1</sup> / <sub>2</sub> "	12"	108"	120"	1/8" bracket-to-bracket	1 <sup>3</sup> / <sub>8</sub> " fabric	1 <sup>1</sup> / <sub>4</sub> " fabric only
R-TEC Automation 35mm	2"	32"	12"	120"	120"	1/8" bracket-to-bracket	1 <sup>3</sup> / <sub>8</sub> " fabric	1 <sup>1</sup> / <sub>4</sub> " fabric only
R-TEC Automation 45mm	2 <sup>1</sup> / <sub>2</sub> "	42"	12"	120"	144"	1/8" endcap-to-endcap	2 <sup>1</sup> / <sub>4</sub> " fabric	2 <sup>1</sup> / <sub>8</sub> " fabric only
R-TEC Automation 45mm	3 <sup>1</sup> / <sub>4</sub> "	42"	12"	165"	144"	1/8" endcap-to-endcap	2 <sup>1</sup> / <sub>4</sub> " fabric	2 <sup>1</sup> / <sub>8</sub> " fabric only
FASCIA ONLY - 3-4-5"	N/A	12"	N/A	108"	N/A	1/8" endcap-to-endcap	N/A	N/A
4" Deco Valance	N/A	12"	N/A	165"	N/A	1/8" endcap-to-endcap	N/A	N/A

# PRODUCT SPECIFICATIONS

## Tip-to-Tip/Endcap-to-Endcap/Bracket-to-Bracket vs. Fabric Measurements

- Finished roller shade sizes are based on tip-to-tip measurements.
- When ordering an outside mount shade, determine the width you desire the fabric to be and add for the tip-to-tip measurement.
- Additional fabric is added to ordered height to allow for tube wrap.
- How much to add is determined by options selected. Refer to product specifications on pages 33-35 and add OM allowance to desired fabric width.

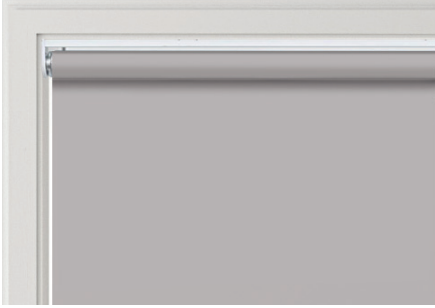


## Roller Shade Diameter Consistency

As shades get wider, they require a larger diameter tube roller. When ordering different width shades in the same room the diameter of the raised shade could vary even if the length is similar. If you are not using a valance or fascia and you desire a consistent look, you will need to request the largest roller tube required on your order for all the shades. Price grids outline standard roller tube size.

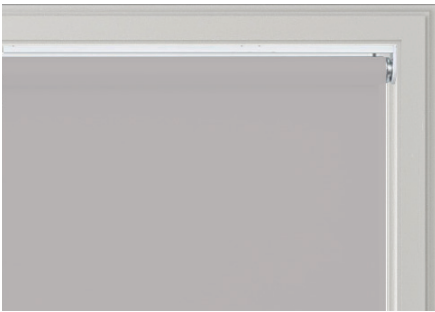
# PRODUCT SPECIFICATIONS

## Roll Direction



### Standard Roll

- Shade material comes off the back of the roller.
- Recommended for most applications.



### Reverse Roll

- Shade material comes off the front of the roller. Leaves noticeable light gap.
- Best suited for duplex fabrics. Reverse roll is not available with Facias or Cassette 100/120.

## Railroaded Fabrics

Sizes exceeding fabric width are made from railroaded cloth, (when available) using width for height, therefore any pattern will run horizontally. Railroaded fabric will accommodate a wider width shade but will in turn limit the height of the shade to the fabric width minus 12" unless the fabric is seamed. For shades exceeding 132" in width, shade height will be limited to fabric width minus 22".

For multiple shade orders, if one shade on the order is railroaded request factory to railroad all others by room. This is done to ensure the pattern direction will be the same on all shades in the same room.

NOTE: FABRICS THAT ARE RAILROADED MAY CURL ALONG THE EDGES; THIS IS NOT A DEFECT IN THE PRODUCT.

Not all fabrics are suitable for railroading. Check chart on pages 41-42 for availability.

## Seamed Fabrics

Some fabrics are available seamed; two pieces of fabrics are heat-welded together creating a visible horizontal seam toward the top of the shade.

# OPERATING OPTIONS

## Clutch Roller (Continuous Chain Loop)

- Continuous chain loop clutch system easily lifts large shades while the continuous beaded chain loop remains the same length
- Allows for precise positioning of the shade
- Chain loop is color-coordinated to the fabric or can be coordinated to cassette rail, fascia or hem bar.
- Comes with cord tension device that must be mounted for shade to operate properly.
- Safety Shroud Chain Cover will come attached to the chain from the factory if requested or ANSI standards require.



## Additional Clutch Options:

**Galaxy 200** is a geared clutch that reduces pull force up to approximately 40%

- Requires more rotations to raise and lower the shade.
- Maximum width 132"; 1 1/2" - 2" roller tubes only.
- Bead stops cannot be used with Galaxy clutch.
- Available with 4" fascia and Cassette.

**Galaxy 400** is a geared clutch that significantly reduces pull force by 40%.

- Requires more rotations to raise and lower the shade.
- Maximum width 144"; 1 1/2" - 3" roller tubes only.
- Bead stops cannot be used with Galaxy clutch.
- Available with 4" fascia, not available with cassette when tube size is 1 1/2" or 2" with limited lengths. Tubes larger than 2" available with 5" fascia only.

## Motorization

- Rechargeable battery options to operate shades up to 144" x 144".
- At least 1 battery charger required per order.
- DC option also available.
- See Motorization pricelist for more information and pricing.

## Cordless Lift

Great for solar and laminated shades.

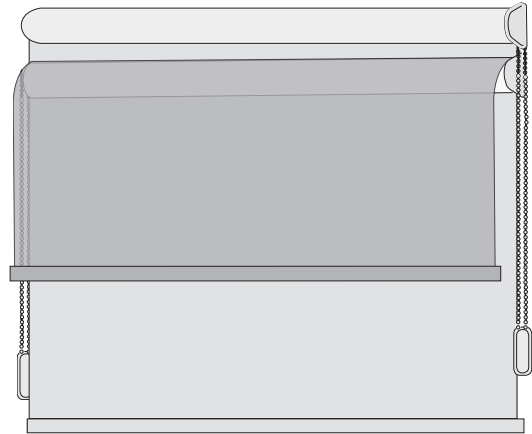
Can be ceiling or wall mounted to accommodate all shade installations.

- Minimum 18" x 18". Maximum 96" x 96".
- Uses the 1 1/2" roller tube and can be adjusted for tension and stop points on site.
- Spring tension is easy to set in shades, will not lose tension as installed and can be easily adjusted on site.
- Available with either cordless lift headrail, cassette 100, 120 or square cassette 110.

# SPECIALTY APPLICATIONS

## Dual Shades

- Mount two shades in one opening to create room darkening and ambient light control.
- Brackets can be mounted inside, outside, or to the ceiling.
- Universal Brackets are ideal for most window frames. Less projection into the room when inside mounted. Bracket is 5" deep. No bracket covers when outside mounted.
- Vertical Brackets are perfect for shallow windows. With Vertical Brackets the upper shade must be reverse roll and the lower shade must be standard roll. Less projection into the room when outside mounted. Bracket covers included when outside mounted.
- Maximum width – 108"
- Maximum height – 96"
- Dual shades available as Clutch or R-TEC Automation® options.



## Dual Shades with 5" Fascia

- Minimum depth required for Inside Mount is 4".
- Available in White, Anodized or Bronze, the 5" high fascia panel conceals the dual roller assembly.
- Size limitations do apply. See Fabric Chart on page 42 for fabric specific information.
- Shades can be mounted as left/right control or both controls left or both controls right.
- See charts on pages 42 for size limitations.
- Available as Clutch or R-TEC Automation® options.
- Uses Skyline clutch and bracket systems.



# DESIGN OPTIONS

## Curved Cassette 100/120

### Square Cassette 110

Produced as one complete assembly, this system provides easier installation than standard roller and valance options. The rail snaps easily into mounting clips. Shade is concealed when fully raised.

Square cassette 110 available plain or wrapped.

Square cassette 110 dimensions: 3.56" x 3.375"

Available in five colors: white, ivory, black, anodized, and bronze.

Cassette 100 and 120 valance includes a matching fabric insert.

Cassette 100 dimensions: 3.29" d x 3.03" h

Cassette 120 dimensions: 3.93" d x 3.84" h

- Maximum width 108"
- Maximum height – 108"

### 3", 4" and 5" Square Fascia

Available in five colors: white, ivory, anodized, black and bronze.

- 3" Fascia available up to 108" wide and will accommodate most shades up to 96" in height.
- 4" Fascia available up to 120" wide and will accommodate many shades up to 144" in height.
- 5" Fascia available in white, bronze or anodized. Shades up to 144" wide and will accommodate many shades up to 144" in height. See charts page 42 for limitations.

- Square fascia cannot get a fabric wrap.

*Cordless Lift not available with fascias.*

3" Fascia dimensions: 1.5" d x 3.37" h

4" Fascia dimensions: 1.36" d x 3.8" h

5" Fascia dimensions: 2.78" d x 5.15" h

## Deco Valance — available in 5 colors: white ivory, anodized, black and bronze

Deco valance provides easier installation than standard roller and valance options. Mounting is a snap with the use of magnets. It can be installed by placing the L bracket magnet receiver onto the magnet catch plates on the front of the installation bracket.

- 4" Deco Valance dimensions: 1/4" d x 4 1/4" h
- Corners: 1/4" or 1 7/8"
- Returns: corner piece with tab to connect up to 3 5/8" returns

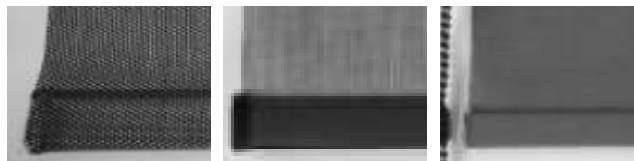
### Side & Sill Privacy Strip

- A simple L-shaped channel, this privacy strip easily attaches with tape or screws to your window frame to cover light gaps. An inexpensive upgrade to give your windows full coverage.
- Works best with: Blackout Cellular Shades. Can be used with light filtering shades to provide additional privacy on the edges however light will still enter the room through the shade.
- Available in 3 colors to match your window: White, Aluminum, Bronze
- Size: 1 1/2" x 3 1/4"; Requires 3/4" mounting space
- Maximum length 108"
- We recommended mounting the light block behind the material. It can be placed behind or in front of your window treatment, but the aesthetic of your window may be compromised if installed in front. Experiment with placement before you remove the backing off the adhesive.

**Standard hem** - aluminum slat heat-sealed into hem pocket

**Aluminum hem** - modern aluminum hem bars complete the contemporary look of your roller or solar shade.

**Wrapped hem bar** - add a matching fabric wrap. The fabric shows on the front while the bar color shows on the back. Wrapped hem bar colors are white, ivory, gray, bronze, and black with a clear end cap.



**STANDARD  
SEALED HEM**

**ALUMINUM  
HEM BAR**

**WRAPPED  
HEM BAR**

PATTERN	OPACITY						MAXIMUM SHADE SIZE BY FABIC								CORDLESS LIFT	
		FABRIC WIDTH	FABRIC CONTENT	FABRIC WEIGHT OZ PER SQ YD	FLAME RETARDANT	GREENGUARD CERTIFICATIONS	MAXIMUM SHADE SIZE (WITHOUT RAILROADING)	RAILROADING AVAILABLE	MAXIMUM SHADE SIZE 1 1/4" TUBE (NO HORIZONTAL SEAM)	MAXIMUM SHADE SIZE 1 1/2" TUBE (NO HORIZONTAL SEAM)	MAXIMUM SHADE SIZE 2" TUBE (NO HORIZONTAL SEAM)	MAXIMUM SHADE SIZE 2 3/8" TUBE	SEAM AVAILABLE	MAXIMUM SHADE SIZE (VISIBLE HORIZONTAL SEAM)	MAXIMUM SHADE SIZE (RAILROADED AND/OR SEAMED)	MAXIMUM SHADE SIZE (WITHOUT RAILROADING)

DECORATIVE ROLLER FABRICS

Bliss	LF	118"	100% Polyester	12		Y	118x96	N	72x96	108x120	118x144	144x144	N	NA	96x96	96x96	96x96
Bliss	RD	114"	100% Polyester	12		Y	114x96	N	72x96	108x120	118x144	144x144	N	NA	96x96	96x96	96x96
Enlighten BO FR	RD	94"	100% Polyester	9	Y	Y	96x144	Y	94x120	94x144	94x144	94x144	N	NA	96x96	94x96	96x96
Enlighten BO	RD	94"	100% Polyester	9		Y	96x144	Y	94x120	94x144	94x144	94x144	Y	144x144	96x96	94x96	96x96
Enlighten FR	LF	94"	100% Polyester	4.5	Y	Y	96x144	Y	94x120	94x144	94x144	94x144	Y	144x144	96x96	94x96	96x96
Essence	LF	110"	100% Polyester	6.25		Y	110x144	N	72x96	108x120	110x144	110x144	N	NA	NA	96x96	NA
Luminate	LF	110"	100% Polyester	9		Y	110x144	N	72x96	108x120	110x144	110x144	N	NA	NA	96x96	NA
Nightfall	RD	114"	100% Polyester	12		Y	114x144	N	72x96	108x120	110x144	114x144	N	NA	NA	96x96	NA
Visulite	LF	118"	100% Polyester	6		Y	118x144	Y	72x96	108x120	118x144	118x144	Y	144x144	96x96	96x96	96x96
Visulite	RD	114"	100% Polyester	12		Y	114x114	Y	72x96	108x120	114x144	114x144	Y	144x144	96x96	96x96	96x96

SOLAR ROLLER FABRICS

Screen 1%*	LF	118"	100% Polyester	14		Y	118x144	Y	72x96	108x120	118x144	118x144	Y	168x144	96x96	96x96	96x96
Screen 3%*	LF	118"	100% Polyester	13		Y	118x144	Y	72x96	108x120	118x144	118x144	Y	168x144	96x96	96x96	96x96
Screen 5%*	LF	118"	100% Polyester	14		Y	118x144	Y	72x96	108x120	118x144	118x144	Y	168x144	96x96	96x96	96x96
Design Screen 5%*	LF	118"	100% Polyester	12	Y	Y	118x144	Y	72x96	108x120	118x144	118x144	Y	168x144	96x96	96x96	96x96
Linen Screen 5%*	LF	118"	100% Polyester	11	Y	Y	118x144	Y	72x96	108x120	118x144	118x144	N	NA	96x96	96x96	NA



\*Anti-microbial



PATTERN	R-TEC							CASSETTES AND FASCIAS				DUAL SHADE
	MAXIMUM SHADE SIZE – 1 ¼" TUBE	MAXIMUM SHADE SIZE 1 ½" TUBE	MAXIMUM SHADE SIZE 2" TUBE	MAXIMUM SHADE SIZE 2 ⅜" TUBE — 2 ½" mm only	MAXIMUM SHADE SIZE 3 ¼" TUBE (NO HORIZONTAL SEAM)	MAXIMUM SHADE SIZE 3 ¼" TUBE (VISIBLE HORIZONTAL SEAM)	CASSETTE 100 MAXIMUM HEIGHT	CASSETTE 120 MAXIMUM HEIGHT	3" SQUARE FASCIA MAXIMUM HEIGHT	4" SQUARE FASCIA MAXIMUM HEIGHT	5" SQUARE FASCIA MAXIMUM HEIGHT	MAXIMUM SHADE SIZE OPEN ROLL OR 5" FASCIA

DECORATIVE ROLLER FABRICS

Bliss	72x84	108x120	118x132	118x144	118x144	168x144	96	120	84	120	144	108x96
Bliss	72x84	108x120	118x132	118x144	118x144	168x144	96	120	84	120	144	108x96
Enlighten BO FR	72x84	94x120	94x132	94x144	94x144	168x144	96	120	84	120	144	108x96
Enlighten BO	72x84	94x120	94x132	94x144	94x144	168x144	96	120	84	120	144	108x96
Enlighten FR	72x84	94x120	94x132	94x144	94x144	168x144	96	120	84	120	144	108x96
Essence	72x84	108x120	110x132	110x144	110x144	NA	96	120	84	120	144	108x96
Luminate	72x84	108x120	110x132	110x144	110x144	NA	96	120	84	120	144	108x96
Visulite	72x84	108x120	118x132	118x144	118x144	165x144	96	120	84	120	144	108x96
Visulite	72x84	108x120	114x132	114x144	114x144	165x144	96	120	84	120	144	108x96

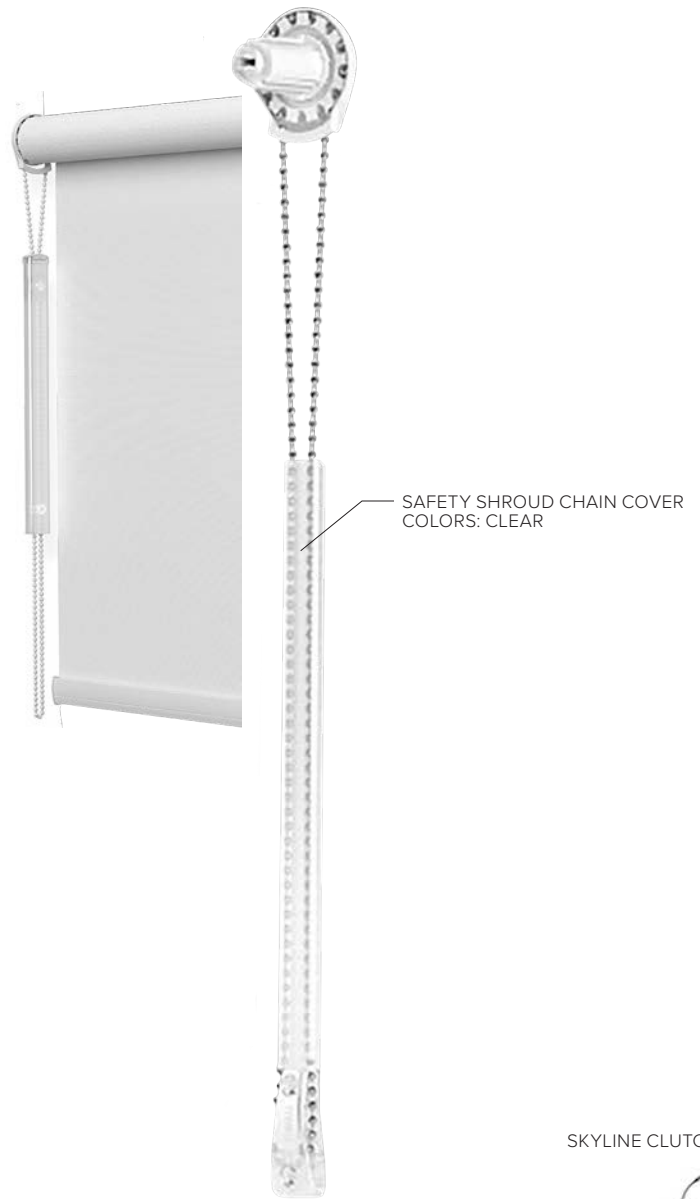
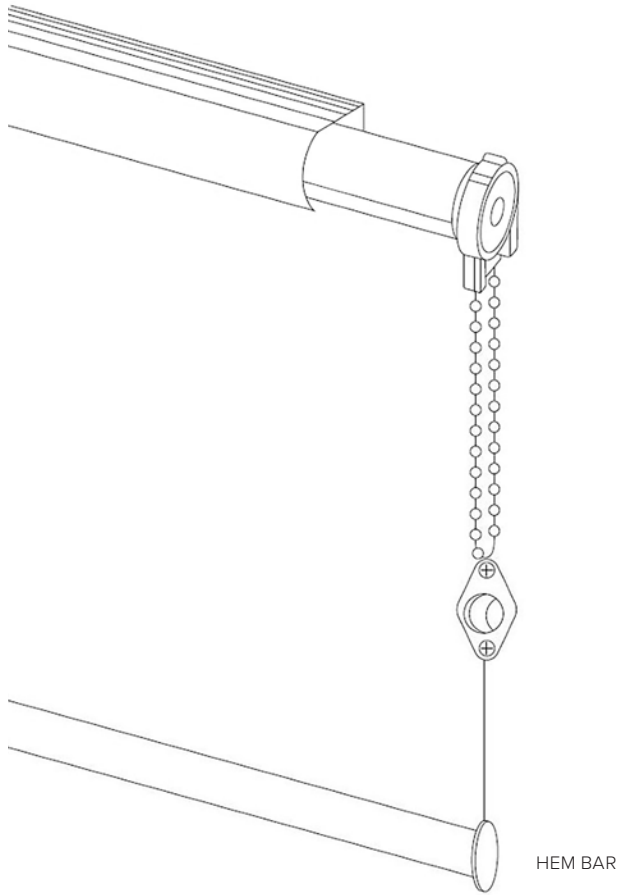
SOLAR ROLLER FABRICS

Screen 1%	72x84	108x120	118x132	118x144	118x144	165x144	96	120	84	120	144	108x96
Screen 3%	72x84	108x120	118x132	118x144	118x144	165x144	96	120	84	120	144	108x96
Screen 5%	72x84	108x120	118x132	118x144	118x144	165x144	96	120	84	120	144	108x96
Design Screen 5%	72x84	108x120	118x132	118x144	118x144	165x144	96	120	84	120	144	108x96
Linen Screen 5%	72x84	108x120	118x132	118x144	118x144	NA	96	120	84	120	144	108x96

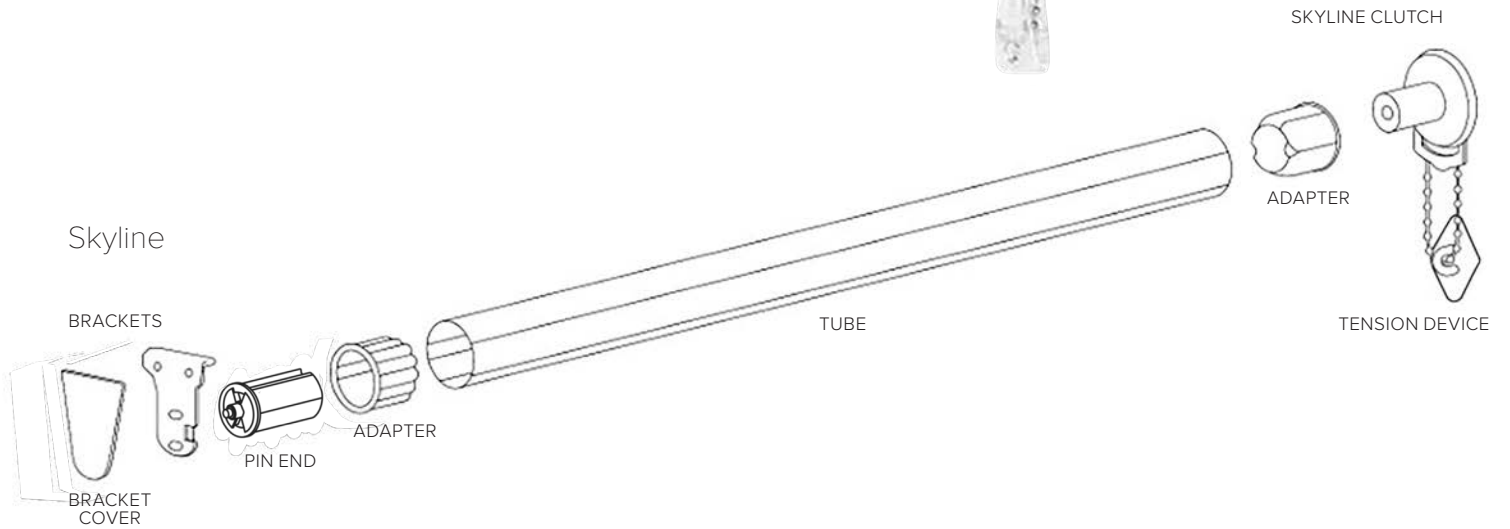
Wrapped Deco Valance: Overall width cannot exceed fabric width when railroading is not available. Fabric pattern will run sideways, therefore would match shade underneath.

# PRODUCT COMPONENTS

## Clutch Roller Shades

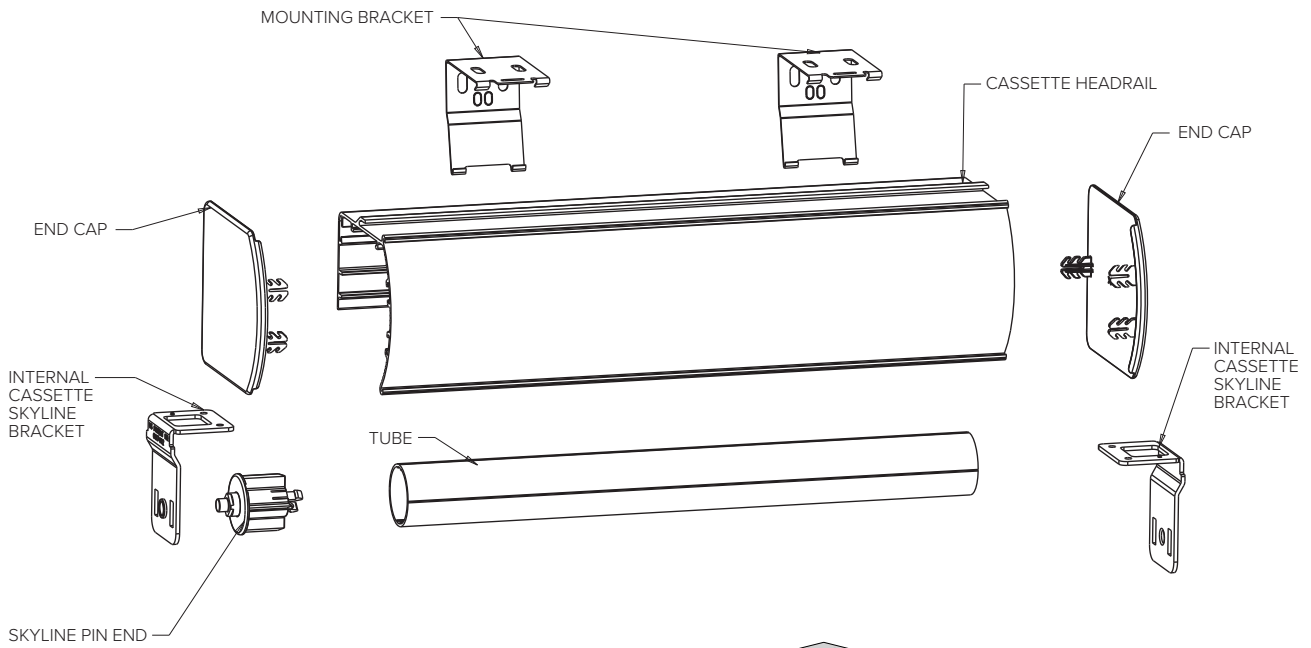


## Skyline

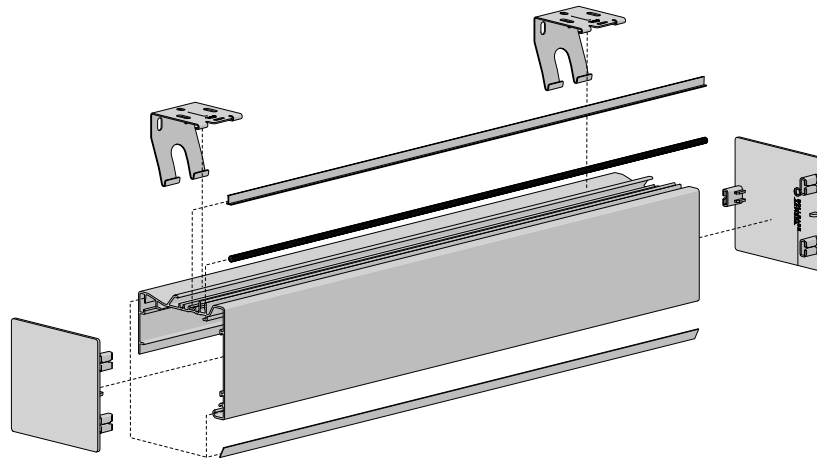


# PRODUCT COMPONENTS

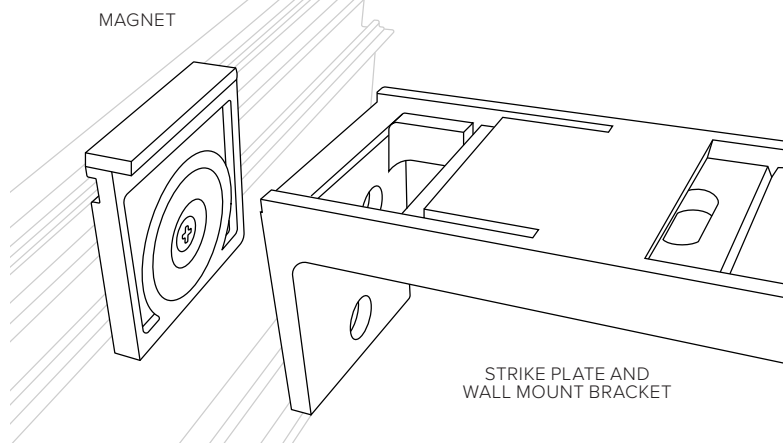
## Cassette 100/120 Rails



## Square Cassette



## Deco Valance

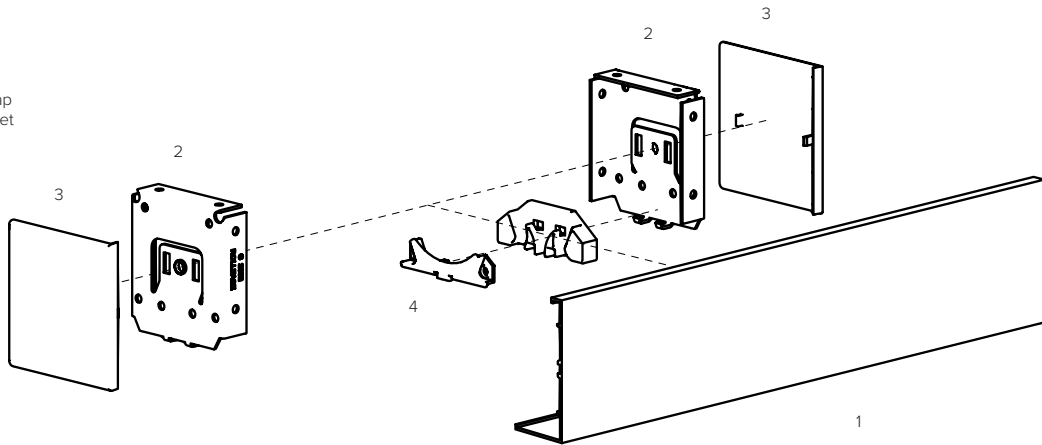


# PRODUCT COMPONENTS

## Facias

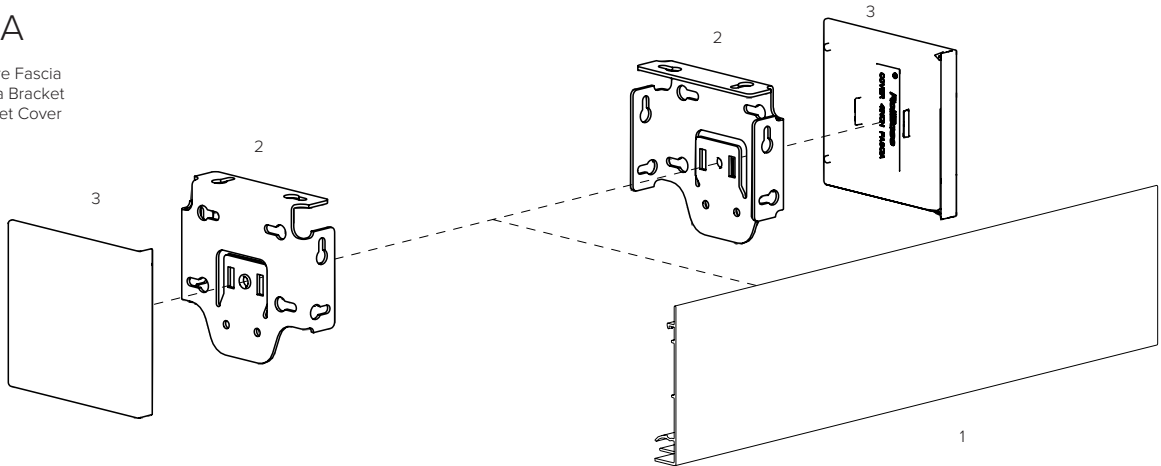
### 3" FASCIA

1. 3" Skyline Square Fascia
2. 3" Skyline Fascia Bracket
3. 3" Skyline Square End Cap
4. Chain Diverter & Cover Set

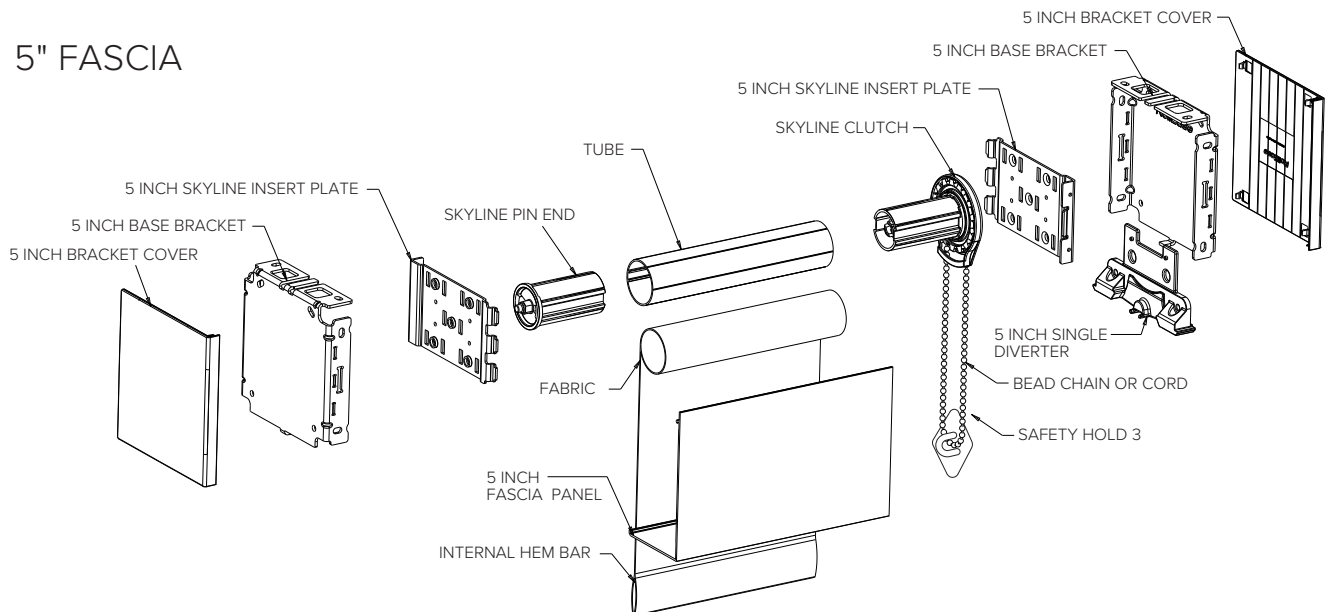


### 4" FASCIA

1. 4" Skyline Square Fascia
2. 4" Skyline Fascia Bracket
3. 4" Skyline Bracket Cover

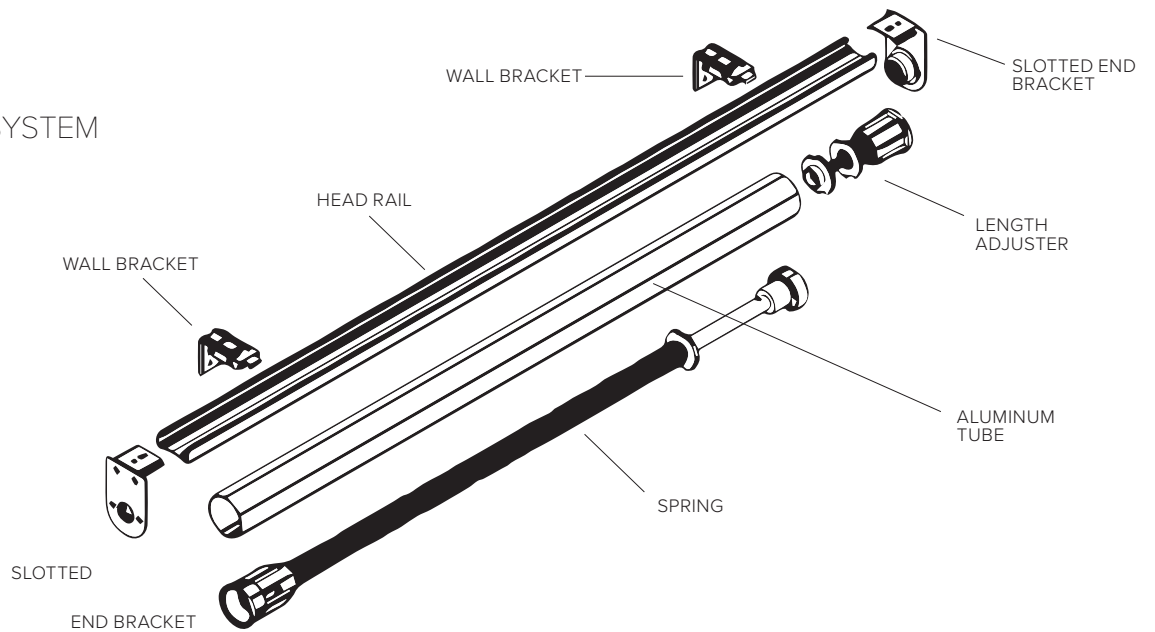


### 5" FASCIA

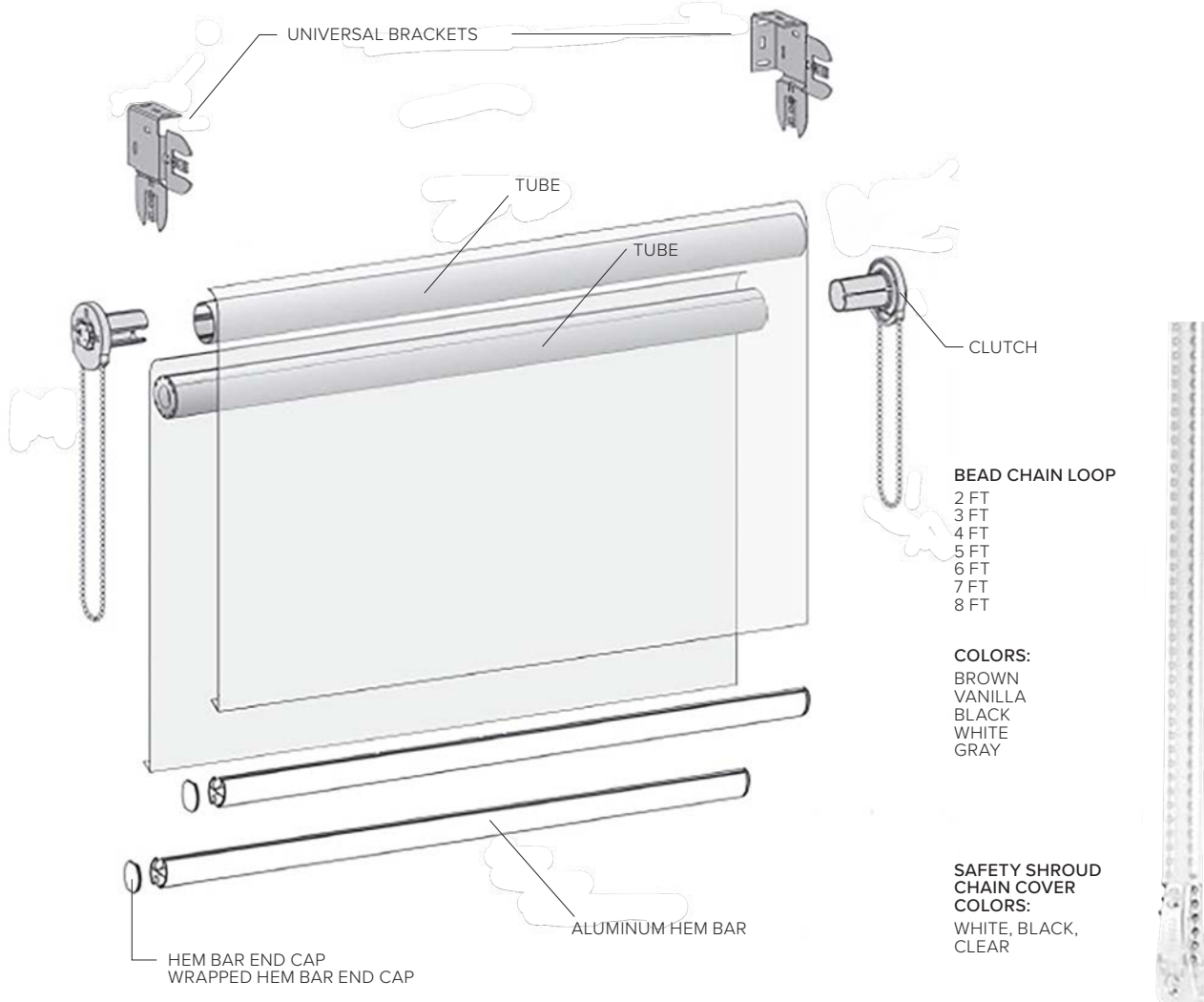


# PRODUCT COMPONENTS

## CORDLESS LIFT SYSTEM



## DUAL SHADES



# TABLE OF CONTENTS



## *Twinlight Shades*

Product Specifications .....	46
Operating Options.....	47
Design Options.....	48
Product Components.....	49

# PRODUCT SPECIFICATIONS

PRODUCT	MIN WIDTH	MAX WIDTH	MIN HEIGHT	MAX HEIGHT
Clutch Roller	12"	96" *	12"	96"
R-TEC Automation® 25mm 1.1Nm	29 1/2"	96" *	12"	96"
Two-on-One Headrail – Clutch Roller**	24"	108" – 2 controls	12"	96"
Two-on-One Headrail – R-TEC Automation® 25mm 1.1Nm	46"	108" – 2 controls	12"	96"

\*\*Two-on-one headrail shades that do not exceed 108" in overall width can achieve alignment within 1/8".

## NOTE:

- \* We strongly recommend ordering shades larger than 96" wide as two-on-one headrail. This fabric has a natural tendency to have "waves" in either the front or rear fabric in wider shades; this is not considered a defect.
- \* Two-on-one shades can be produced to operate with both shades having their own control. 2-on-1 surcharge applies. Control Option Surcharges are double when the shades have two controls.

## Shade Deductions

PRODUCT	TUBE SIZE	INSIDE MOUNT ALLOWANCE		OUTSIDE MOUNT ALLOWANCE
Clutch Shades	1 1/2"	1/8" endcap-to-endcap	1 1/4" fabric	1 1/8" fabric only
Motorized Shade	1 1/2"	1/8" endcap-to-endcap	1" fabric	7/8" fabric only

## Depth Requirements

SHADE WIDTH	MIN DEPTH	INSIDE FLUSH MOUNT	OUTSIDE SURFACE
Cassette 100	1 1/8"	3 7/8"	1 1/2"
Cassette 120	1 1/4"	4 1/4"	2 1/2"

\*Cassette 100 standard on Twinlight shades

## ADJACENT SHADES

- Side-by-side alignment cannot be guaranteed to be an exact match.
- Shades located side-by-side must be specified at time of order to achieve best result.
- Side-by-side shades that do not exceed 108" in overall width can achieve alignment within 1/8".



# OPERATING OPTIONS

## Clutch Roller (Continuous Chain Loop)

- Provides a smooth, quiet clutch system that aids in operating large shades.
- Allows for precise positioning of the shade.
- Continuous loop control stays the same length (must be secured with cord tension device to operate).
- Sizes up to 108" x 96"
- All cassette options available.

**Safety Shroud Chain Cover is optional.**



## Rechargeable Motorization

- Battery powered motor uses a rechargeable battery hidden inside the roller tube motor.
- Simple remote options and app controller available.
- Maximum width 108" as a single shade; 108" as 2 independent shades on 1 headrail \*\*
- Maximum height 96". Shade height limitations vary by cassette option. See chart on page 56.
- At least 1 battery charger required per order.
- All cassette options available.
- See Motorization pricelist for additional information and pricing.



## Two-on-One Headrail

2 shades available only with Cassette 100 & 120.

- Maximum overall width 108" as two independent shades on 1 headrail.
- Maximum height varies by pattern; see chart on page 56.
- Light gaps: Ends 3/4", Center 1/2".

**NOTE:** Shades are even when in down position, but as traveling up hems will not align completely and when at top position the hem will be off approximately 1/8". We strongly recommend ordering shades larger than 96" wide as two-on-one headrail. This fabric has a natural tendency to have "waves" in either the front or rear fabric in wider shades; this is not considered a defect.

# DESIGN OPTIONS

## Cassette 100 & 120

Produced as one complete assembly, this system provides easy installation. The rail snaps easily into mounting clips. Shade is concealed when fully raised.

Cassette valance includes a matching fabric insert and is available in five colors: white, ivory, black, aluminum, and bronze.

Cassette 100 dimensions: 3.29" d x 3.03" h

Cassette 120 dimensions: 3.98" d x 3.84" h

**Cassette, chain & hem bar colors are pre-selected.**

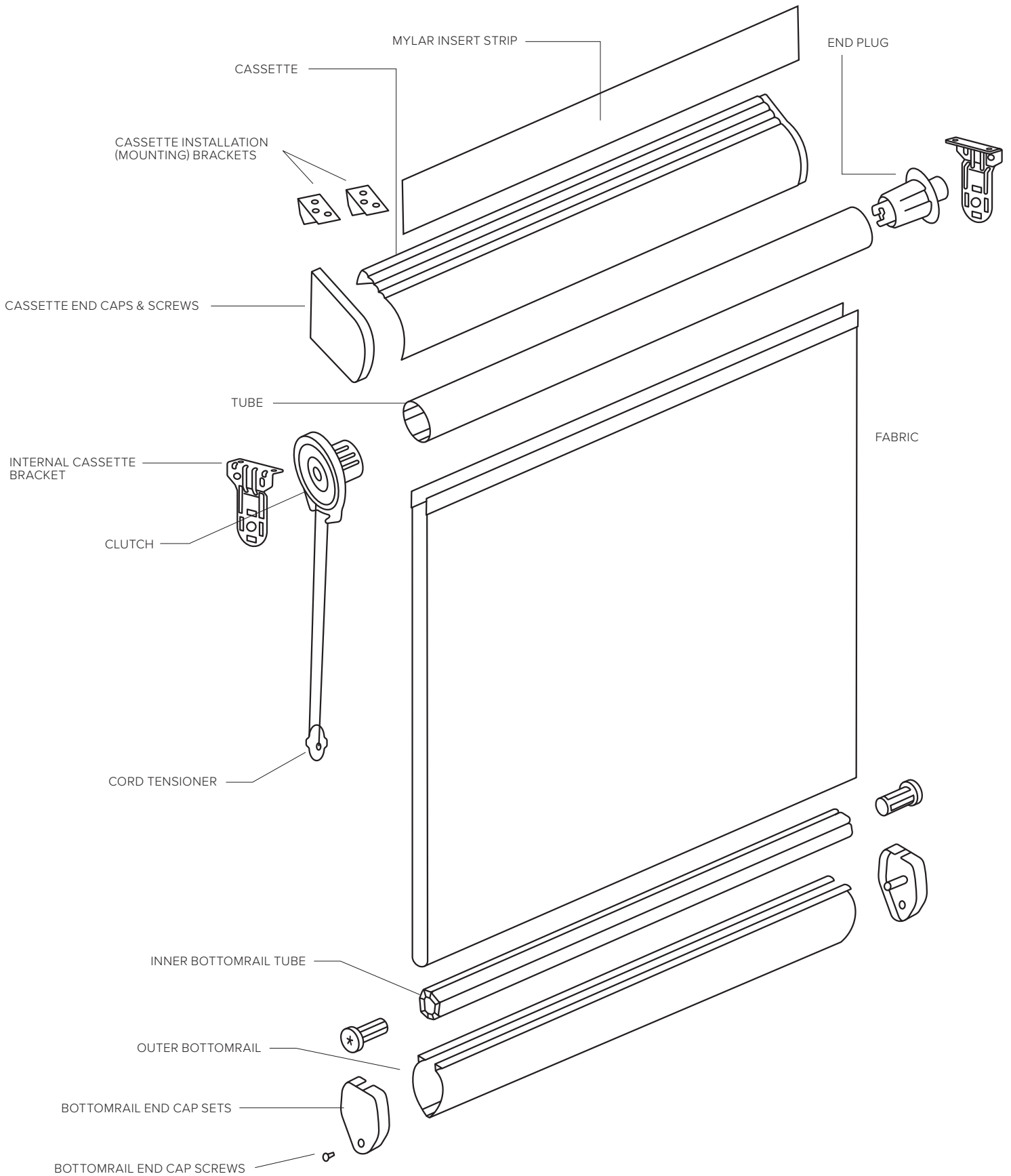


## Hem Options

Aluminum hem bar in five colors: white, ivory, bronze, black and anodized. Standard for most fabrics. There is less gap between the two layers of fabric.



# PRODUCT COMPONENTS



# TABLE OF CONTENTS



## *Decorative Textile Film*

Product Specifications .....	51
Installation .....	52

# PRODUCT SPECIFICATIONS

## Why should I use Decorative Textile Film?

Alternative for plastic window foil

- 100% woven fabric with warm and natural feel
- Self-adhesive for fast, easy and quick installation
- Restricts people from looking inside while keeping your outside view

## Material

Fabric: 100% woven Polyester

Liner: Polypropylene

## Characteristics

- Transparency level: transparent
- Self-adhesive (water-based acrylic pressure sensitive glue)
- Damp-proof
- UV resistant
- Cooling effect
- PVC-free
- Halogen-free
- Interior application only
- Service life: minimum 5 years

## Suitable for damp locations

- Fabrics with this finishing ensure the greatest resistance in a warm and humid climate.

## Fabric acclimation

Prior to installation, fabric must rest for a least 1 hour outside of its original packaging, at a stable temperature comprised between 59F-71F degrees.

## Antibacterial/antifungal

- This fabric has been treated with active agents that prevent the growth of various Micro-organisms and is therefore particularly suitable for application in hospitals, nursing homes, surgeries, laboratories, etc. It can also be used in rooms with high humidity.
- The active agent Sanitized® gets rid of a broad spectrum of the most popular indoor molds and fungi. Sanitized® cannot guarantee that all indoor living mold and fungi species are removed.
- In a very humid environment, the antibacterial properties will deteriorate more quickly.

## PVC-free

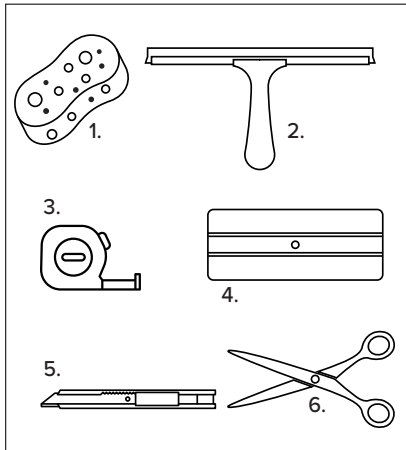
- For the treatment of this fabric, no use at all was made of PVC, i.e., it's free of any emollients or stabilizers.

## Halogen-free

- The fabric has had no treatment containing halogens.

	UV transmission factor				
	Sidewalk	Bone	Linen	Gravity	Stone
Sheer	46%	49%	42%	42%	38%
Semi-Opaque	16%	13%	10%	10%	7%

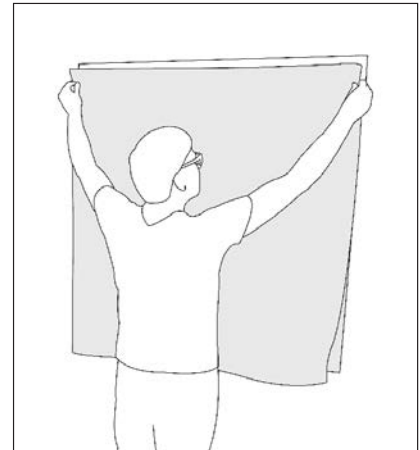
# INSTALLATION



Tools: window cleaning tools (1-2), measuring tape (3), plastic squeegee (4), cutter with stainless steel spare blades (5), scissors (6).



DTF should always be installed on the inside of the windows and follow the guidelines in the installation instructions. Measure the width and the height of the window. Add 2" to width and height for overlap.



Align the Decorative Textile Film with the top of the window and press the textile gently onto the glass. Take out the remaining backing paper little by little, by section of  $\pm 6$  in each, while pressing gently the fabric onto the window from top to bottom and from the middle to the side.



# TABLE OF CONTENTS



## *Motorization*

Why Motorization .....	54
R-TEC Automation® Motorization – Options, Specifications & Accessories.....	55-60
Sizing Charts.....	61-63

# WHY MOTORIZATION?

Technology for residential applications is constantly progressing. Movements that seem natural to us, such as opening and closing a blind manually by hand, are considered old fashioned today. Motorization provides users with a new choice of practical and reliable alternatives.

**Convenience** Effortlessly control hard to reach window coverings.

**Safety!** Eliminate dangling cords as a safety hazard for children and pets.

**Privacy & Light Control** Manage glare, UV rays and temperature with the touch of a button creating instant privacy and protecting valuable furnishings.

## KEY TERMS AND DESCRIPTIONS

### Rechargeable

Requires no electrical wiring, no external battery pack and no complicated installation. Simple and affordable! Motors will operate 6-9 months between charges based on average size and daily use. Li-Ion batteries can be recharged up to 500 times. Takes approximately 5 hours to fully recharge. Remember to purchase at least one charger!

### Battery / Wire Free

Cellular shades have external rechargeable battery pack.

### DC Wired/Battery Motorization

Shades are powered by an external battery or 12v DC transformer/plug similar to a cell phone charger. Low voltage wires are used so an electrician is not required, keeping installation costs minimal. Most DC motors can also be wired to a central distribution panel eliminating the need for multiple power adapters.

### AC Wired Motorization

Great for homes with large windows. AC motors provide a larger lifting capacity. These use a grounded plug or in many cases can be hard-wired by an electrician into the home's electrical system.

### Radio Frequency (RF)<sup>™</sup>

Powerful radio frequency means shades can be operated from virtually anywhere in the house without direct line of sight. Radio signal travels through walls similar to a garage door opener.

### Solar Charging

Harness the sun's energy to power battery operated motorized window coverings. Simply attach a solar panel to the motor and install in the window. The solar panel will keep your shades charged and ready for operation!

### Remotes and Wall Switches and App Controls

A multitude of options are available from handheld remotes, wall switches that can be installed for easy access when entering or leaving a room, and app controls that allow you operate your window coverings from a smartphone or tablet.



# R-TEC AUTOMATION® MOTORIZATION

PRODUCT TYPE	R-TEC AUTOMATION®					
	LI-ION RECHARGEABLE MOTORIZATION	DC WIRED/BATTERY MOTORIZATION	REMOTES AND WALL SWITCHES	WIFI HUB	SOLAR PANEL CHARGER	ARC REPEATER
Cellular Shades	N	Y	Y	Y	Y	Y
Roller & Solar Shades	Y	Y	Y	Y	Y	Y
Twinlight Shades	Y	Y	Y	Y	Y	Y

Options include Li-Ion rechargeable motorization, DC powered low-voltage motorization, and AC powered motorization.

- Shades are programmed at the factory with “up and down” limits. “Favorites” position can be set after install.

### Li-ion Rechargeable Motorization

- Available for these products: Roller & Solar Shades, TwinLight, and Cellular Shades (DC only.)
- Motor options for even the largest shades!
- Radio Frequency motor with rechargeable battery is concealed inside the headrail or roller tube.
- Motor charging cable is on the end of the motor.
- A charger is required. Order at least one charger.

**Note: Consider ordering 1 charger for every 5 shades as recharging can take several hours.**

- Windows with metal casing may reduce radio frequency range or cause interference. Do not let the antenna touch any metal objects.
- R-TEC Automation® motors are compatible with Google Assistant, Amazon Alexa, IFTTT (If This Then That) and Apple® HomeKit.
- Smart Home Automation Systems: Savant, Control4®, Crestron®, AMX, Elan®, HomeSeer.
- 5 Year Warranty on Li-Ion motors.

# LITHIUM ION RECHARGEABLE MOTORIZATION

Li-ion battery powered motorized shades are a perfect retro fit for existing homes or small commercial projects. Li-ion powered motors require no electrical wiring, no external battery pack and no complicated installation.

- 2-way RF communication with ARC™ protocol for simple programming
- 3 operational speed settings
- Leveling control

- Electronic limit setting and adjustment
- Favorite position
- Rechargeable built-in Li-ion Battery
- Li-ion Battery operates up to 500 up and down cycles per charge (based on recommended shade size)
- Requires Battery Charger RTMLBC or Solar Panel Battery Charger RTMSOLAR2



## FEATURES

2-WAY RF COMMUNICATION	LEVELING CONTROL	PREFERRED UPPER/LOWER LIMIT SETTINGS	FAVORITE POSITION	ADJUSTABLE SPEED	QUIET OPERATION

WIREFREE AND DC FEATURES

## POWER OPTIONS

BATTERY POWERED	BATTERY PACK	POWER SUPPLY

## SOLAR

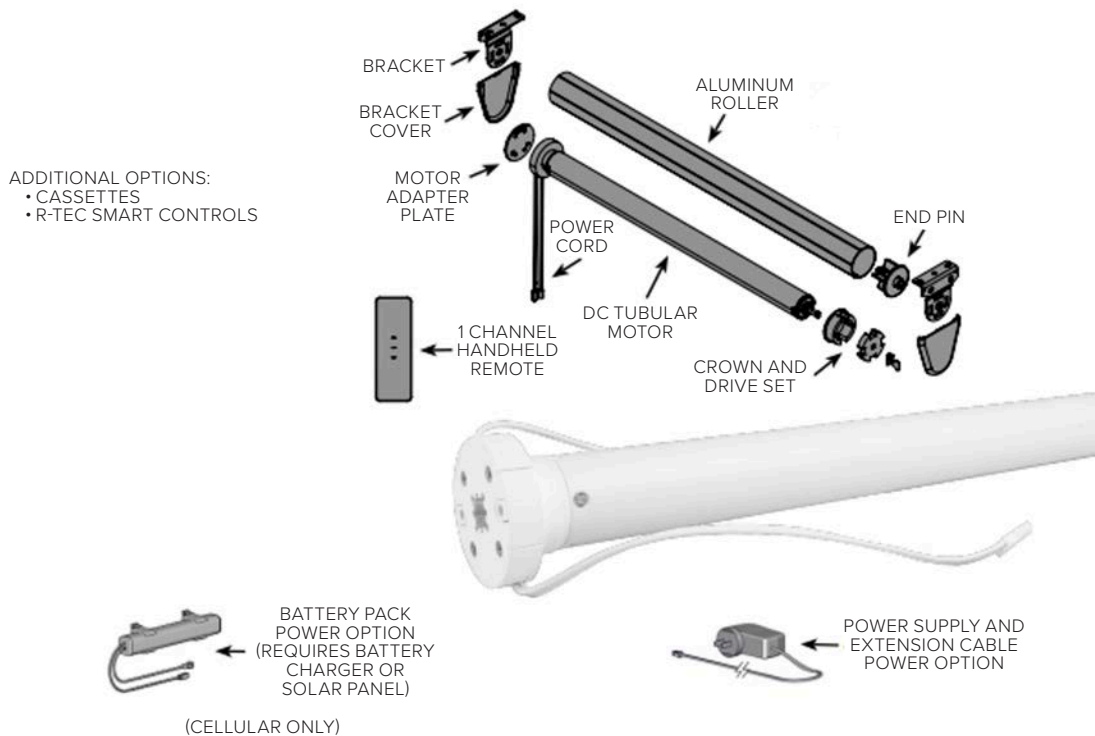
SOLAR PANEL BATTERY CHARGER

# DC WIRED MOTORIZATION

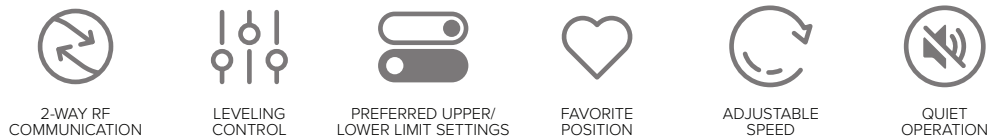
DC motorized shades are ideal when designing a new home, motorizing an existing home or planning a commercial project. DC wired shades are maintenance free and the AC power supply adapter keeps installation costs to a minimum.

- 2-way RF communication with ARC™ protocol for simple programming

- 3 operational speed settings
- Leveling control
- Electronic limit setting and adjustment
- Favorite position
- Requires Battery Pack, Battery Tube or Power Supply

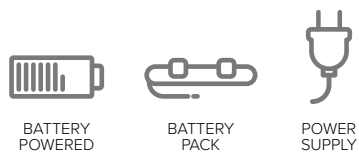


## FEATURES

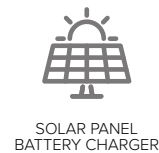


WIREFREE AND DC FEATURES

## POWER OPTIONS



## SOLAR



# R-TEC HUB

## THE HEARTBEAT OF YOUR MOTORIZED WINDOW TREATMENTS

The R-TEC Hub connects to home networks to unlock the luxury of R-TEC Automation® window treatment control. Experience customization with scene and timer options as well as voice control via Google Assistant, Amazon Alexa, IFTTT (If This Then That) and Apple® HomeKit.



### VOICE CONTROL

Intuitively control R-TEC Automation® window treatments with simple voice commands through Google Assistant, Amazon Alexa or Apple HomeKit.



### R-TEC AUTOMATION® APP CONTROL

Control window treatments remotely, whether home or away. The R-TEC Automation® app is available for all Android phones, tablets and iOS devices, including Apple watches & iPads.



### SUNRISE & SUNSET DETECTION

Utilizing time zone and location, the R-TEC Hub can automatically raise or lower R-TEC Automation® window treatments according to the position of the sun.



### LIVE FEEDBACK

ARC enables live communication between the hub and motors. Check motor battery levels and window treatment positions through the app or smart assistants.



### DISTINCT DESIGN

Designed in California, the R-TEC Hub embraces elements from modern architecture to ensure it complements the interior of any home.



### PERSONALIZED EXPERIENCE

Create custom rooms, scenes, routines and timers to enable efficient or automatic window treatment control based on time, weather or schedule.



### HIGH-SPEED CONNECTION

Built-in Wi-Fi or the option of Ethernet connection, ensures the R-TEC Hub can connect to any home network and provide swift, wireless control of R-TEC Automation® window treatments.



### 3 STEP SETUP

No need to complicate things.

1. Power on.
2. Download the R-TEC Automation® App.
3. Connect & Enjoy.

# SOLAR PANEL BATTERY CHARGER



With a slim design and improved performance in low light, the R-TEC Automation® Solar Panel offers an energy efficient upgrade for the entire R-TEC Automation® Wirefree Li-ion range of motors.



## RENEWABLE POWER

Environmentally friendly power maintains motor energy without the need of regularly charging.



## CRYSTAL TECHNOLOGY

Substantially increases solar ray absorption and efficiency of power conversion.



## LOW LIGHT EFFICIENCY

Optimal performance even in low light circumstances.



## USB CHARGE

Easily charge the panel using a standard USB cable before solar ray absorption.



## BYPASS DIODE

Ensures a continuous stream of power, even if small sections of the panel are obstructed.



## PLUG & PLAY

Harnesses solar power for both 5V and 12V Wireless Li-ion motors.



## MULTIPLE MOUNTING POINTS










Quick and easy to install on any window treatment application.



## SLEEK DESIGN

A modern, slim profile provides easy incorporation into your window treatment.

# COMPATIBILITY CHART

		SHADE MOTORS	
		Li-Ion Motor	DC Motor
CONTROLLER	R-TEC Hub & R-TEC Automation® App 	 •	 •
	Handheld Remotes with Wall Mounts (1, 5 or 15 channel) 	•	•
	Wall Box Mount Switch (5 channel) 	•	•
	Surface Mount Wall Switch (15 channel) 	•	•
	Internal Sun Sensor 	•	•
	ARC USB Signal Repeater 	•	•
	Solar Panel Battery Charger 	•	• (IF USING HIGH CAPACITY BATTERY PACK)

### EFFICIENT PROGRAMMING

Use the smartphone app for remote-free motor set up along with a step-by-step programming wizard.

### CONSERVES BATTERY POWER

ARC motors use FSK modulation so they are less susceptible to RF interference from other common household devices and as a result battery power is conserved.

### BI-DIRECTIONAL COMMUNICATION

Shade positioning and battery health is relayed via the R-TEC Automation® App. A notification will prompt if the motor requires recharging.



PRODUCT TYPE	ROLLER TUBE SIZE	MINIMUM WIDTH	MINIMUM HEIGHT	MAXIMUM WIDTH	MAXIMUM HEIGHT	TORQUE	RPM	SOUND LEVEL	INSIDE MOUNT ALLOWANCE	OUTSIDE MOUNT ALLOWANCE	OPEN ROLL	CASSETTE 100	CASSETTE 120	3" FASCIA	4" FASCIA	5" FASCIA
--------------	------------------	---------------	----------------	---------------	----------------	--------	-----	-------------	------------------------	-------------------------	-----------	--------------	--------------	-----------	-----------	-----------

ROLLER & SOLAR SHADES

Li-ion Rechargeable Motorization

R-TEC 25mm 1.1Nm	1 1/4"	21"	12"	72"	96"	1.1 Nm	40	~46dB	1/8" bracket-to-bracket (1 1/8" fabric)	1" fabric only	Y	Y	Y	Y	Y	Y		
R-TEC 25mm 1.1Nm	1 1/2"	29 1/2"	12"	108"	108"				1/8" bracket-to-bracket (1 1/8" fabric)	1" fabric only	Y	Y	Y	Y	Y	Y	Y	Y
R-TEC 28mm 2Nm	1 1/2"	29 1/2"	12"	108"	120"	2 Nm	28	~44dB	1/8" bracket-to-bracket (1 1/8" fabric)	1" fabric only	Y	Y	Y	Y	Y	Y		
R-TEC 28mm 2Nm	2"	29 1/2"	12"	120"	120"				1/8" bracket-to-bracket (1 1/8" fabric)	1" fabric only	Y	Y	Y	Y	Y	Y	Y	Y
R-TEC 35mm 3Nm	2"	32"	12"	120"	132"	3 Nm	28	~40dB	1/8" bracket-to-bracket (1 3/8" fabric)	1 1/4" fabric only	Y	Y	Y	Y	Y	Y		
R-TEC 45mm 3Nm	2 3/8"	42"	12"	120"	132"				1/8" bracket-to-bracket (2 1/8" fabric)	2" fabric only	Y	Y	Y	Y	Y	Y	Y	Y
R-TEC 45mm 3Nm	2 1/2"	42"	12"	144"	144"				1/8" bracket-to-bracket (2 1/8" fabric)	2" fabric only	Y	Y	Y	Y	Y	Y	Y	Y
R-TEC 45mm 3Nm	3 1/4"	42"	12"	168"	144"				1/8" bracket-to-bracket (2 1/8" fabric)	2" fabric only	Y	Y	Y	Y	Y	Y	Y	Y
R-TEC 45mm 10Nm	2 3/8"	42"	12"	108"	132"	10 Nm	9	~42dB	1/8" bracket-to-bracket (2 1/8" fabric)	2" fabric only	Y	Y	Y	Y	Y	Y		
R-TEC 45mm 10Nm	2 1/2"	42"	12"	144"	144"				1/8" bracket-to-bracket (2 1/8" fabric)	2" fabric only	Y	Y	Y	Y	Y	Y	Y	Y
R-TEC 45mm 10Nm	3 1/4"	42"	12"	168"	144"				1/8" bracket-to-bracket (2 1/8" fabric)	2" fabric only	Y	Y	Y	Y	Y	Y	Y	Y

PRODUCT TYPE	ROLLER TUBE SIZE	MINIMUM WIDTH	MINIMUM HEIGHT	MAXIMUM WIDTH	MAXIMUM HEIGHT	TORQUE	RPM	SOUND LEVEL	INSIDE MOUNT ALLOWANCE	OUTSIDE MOUNT ALLOWANCE	OPEN ROLL	CASSETTE 100	CASSETTE 120	3" FASCIA	4" FASCIA	5" FASCIA
--------------	------------------	---------------	----------------	---------------	----------------	--------	-----	-------------	------------------------	-------------------------	-----------	--------------	--------------	-----------	-----------	-----------

ROLLER & SOLAR SHADES

DC Wired motorization (continuously powered)

R-TEC DC 25mm 1.1Nm	1 1/4"	21"	12"	72"	96"	1.1 Nm	40	~46dB	1/8" bracket-to-bracket (1 1/8" fabric)	1" fabric only	Y	Y	Y	Y	Y	Y	
R-TEC DC 25mm 1.1Nm	1 1/2"	29 1/2"	12"	108"	120"				1/8" bracket-to-bracket (1 1/8" fabric)	1" fabric only	Y	Y	Y	Y	Y	Y	Y
R-TEC DC 35mm 3Nm	2"	32"	12"	120"	120"	2 Nm	28	~44dB	1/8" bracket-to-bracket (1 3/8" fabric)	1 1/4" fabric only	Y			Y	Y		
R-TEC DC 45mm 3Nm	2 3/8"	42"	12"	120"	132"	3 Nm	28	~40dB	1/8" bracket-to-bracket (2 1/8" fabric)	2" fabric only	Y					Y	
R-TEC DC 45mm 3Nm	2 1/2"	42"	12"	144"	144"				1/8" bracket-to-bracket (2 1/8" fabric)	2" fabric only	Y				Y	Y	
R-TEC DC 45mm 3Nm	3 1/4"	42"	12"	168"	144"				1/8" bracket-to-bracket (2 1/8" fabric)	2" fabric only	Y						Y
R-TEC DC 45mm 10Nm	2 3/8"	42"	12"	108"	132"	10 Nm	9	~42dB	1/8" bracket-to-bracket (2 1/8" fabric)	2" fabric only	Y						
R-TEC DC 45mm 10Nm	2 1/2"	42"	12"	144"	144"				1/8" bracket-to-bracket (2 1/8" fabric)	2" fabric only	Y						
R-TEC DC 45mm 10Nm	3 1/4"	42"	12"	168"	144"				1/8" bracket-to-bracket (2 1/8" fabric)	2" fabric only	Y						



PRODUCT TYPE	ROLLER TUBE SIZE	MINIMUM WIDTH	MINIMUM HEIGHT	MAXIMUM WIDTH	MAXIMUM HEIGHT	TORQUE	RPM	SOUND LEVEL	INSIDE MOUNT ALLOWANCE	OUTSIDE MOUNT ALLOWANCE	OPEN ROLL	CASSETTE 100	CASSETTE 120	3" FASCIA	4" FASCIA	5" FASCIA
--------------	------------------	---------------	----------------	---------------	----------------	--------	-----	-------------	------------------------	-------------------------	-----------	--------------	--------------	-----------	-----------	-----------

TWINLIGHT SHADES

LI-Ion Rechargeable Motorization

Cassette 100/120

R-TEC 25mm 1.1Nm	1 1/2"	29 1/2"	12"	96"	96"	1.1 Nm	40	~46dB	1/8" bracket-to-bracket (1 1/8" fabric)	1" fabric only	Y	Y				
R-TEC 28mm 2Nm	1 1/2"	29 1/2"	12"	96"	96"	2 Nm	28	~44dB	1/8" bracket-to-bracket (1 1/8" fabric)	1" fabric only	Y	Y				
R-TEC DC 25mm 1.1Nm	1 1/2"	29 1/2"	12"	96"	96"	1.1 Nm	40	~46dB	1/8" bracket-to-bracket (1 1/4" fabric)	1 1/8" fabric only		Y				

CELLULAR SHADES

R-TEC Automation Lift		20"	12"	up to 120"	up to 96"	.6 Nm		~48dB								
-----------------------	--	-----	-----	------------	-----------	-------	--	-------	--	--	--	--	--	--	--	--

NOTE: RPM listed is default speed. Most motors can be adjusted to run slightly faster or slower.

All Blackout Cellular Fabrics are limited to maximum 55 sq ft.